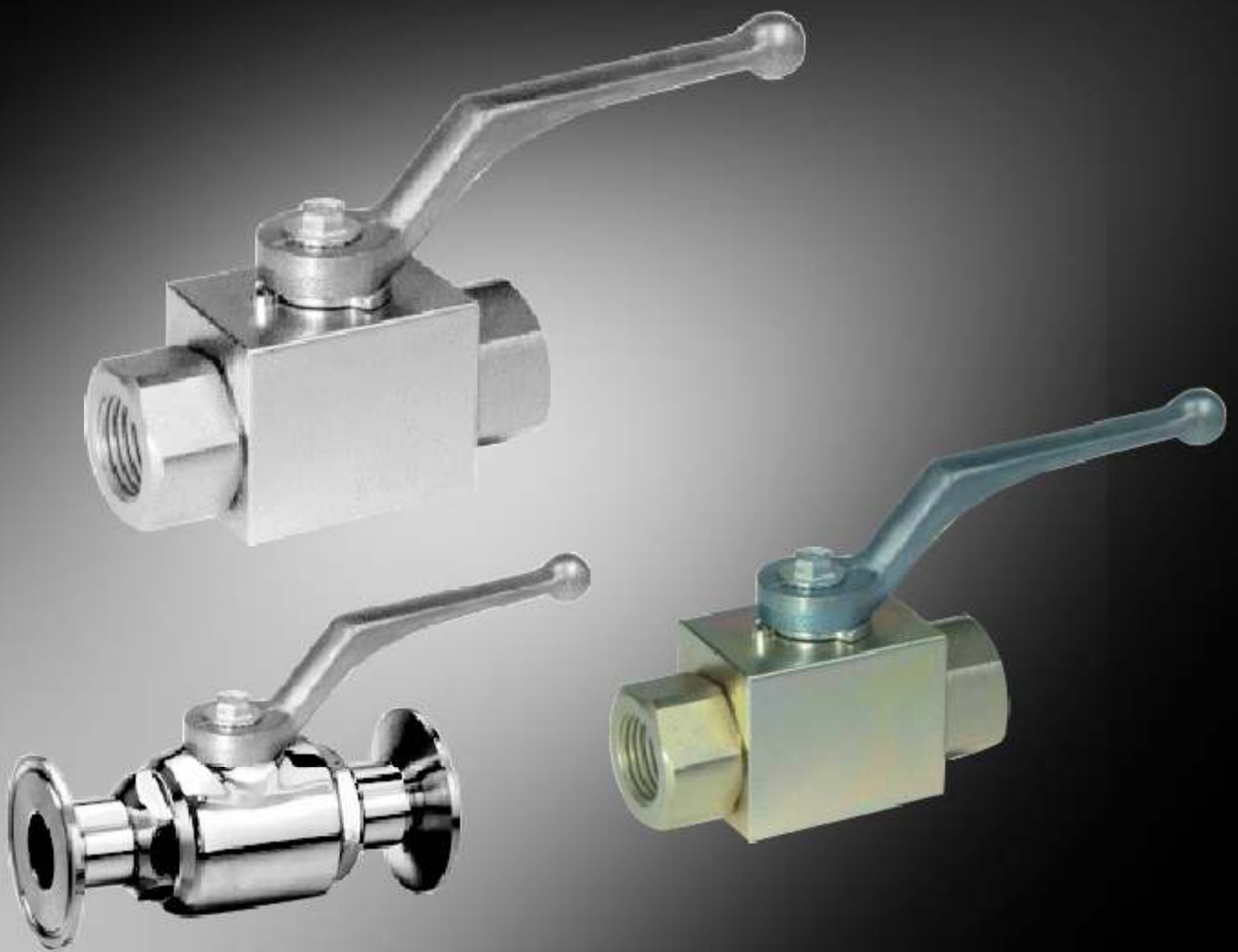




Kains



Ball Valve



[Inside >>](#)

3 Piece TC Ball Valve

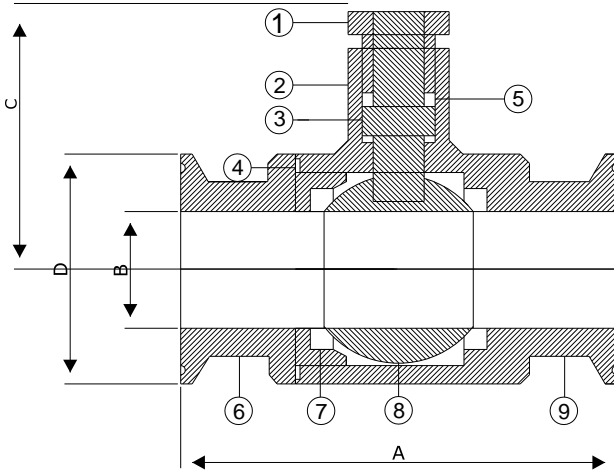
3

3 Piece HP Ball Valve

4

3 Piece TC Ball Valve

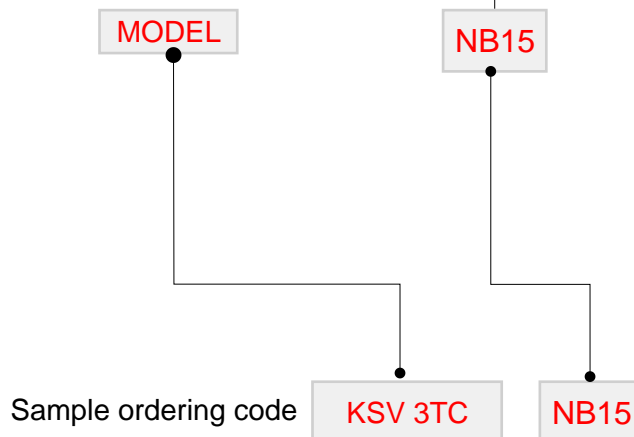
Model: KSV 3TC



S.R. NO.	Name of Part	Material
1	Glandnut	A.I.S.I.304/316
2	Bonnet	A.I.S.I.304/316
3	Spindle	A.I.S.I.304/316
4	Body Seal	P.T.F.E.
5	Seal	P.T.F.E.
6	Adaptor	A.I.S.I.304/316
7	Seat	P.T.F.E.
8	Ball	A.I.S.I.304/316
9	Body	A.I.S.I.304/316

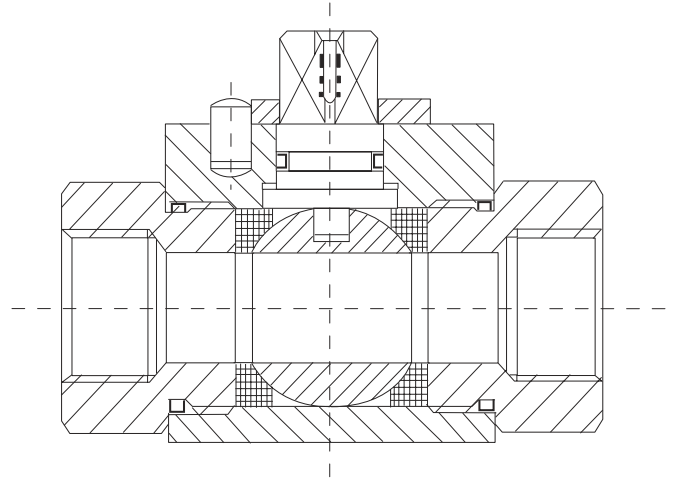
SIZE	A	B	C	D
15(N.B.)	80	12	60	T.C.Ø-35
20(N.B.)	80	19	65	T.C.Ø-35
25(R.B.)	80	19	65	T.C.Ø-50
25(N.B.)	95	25	65	T.C.Ø-50
40(N.B.)	115	38	75	T.C.Ø-50
50(R.B.)	115	45	75	T.C.Ø-63.5
50(N.B.)	115	50	85	T.C.Ø-63.5
65(R.B.)	120	50	85	T.C.Ø-77

Size	Code
15(N.B.)	NB15
20(N.B.)	NB20
25(R.B.)	RB25
25(N.B.)	NB25
40(N.B.)	NB40
50(R.B.)	RB50
50(N.B.)	NB50
65(R.B.)	RB65



3 Piece HP Ball Valve

Model: KBV HP



Model	DN	Connection	Nominal Pressure (bar)
KBV HP 04	4	1/8"	500
KBV HP 06	6	1/4"	500
KBV HP 10	10	3/8"	500
KBV HP 13	13	1/2"	500
KBV HP 20	20	3/4"	400
KBV HP 25	25	1"	350
KBV HP 32	32	1 1/4"	350
KBV HP 40	40	1 1/2"	350



BLOCK BALL VALVE

With female NPT / BSP thread

Body: steel / SS304 / SS316

Ball: steel nickel pl. / SS304 / SS316

Stem: steel zinc pl. / SS304 / SS316

Ball sealing: Delrine

MODEL

Connection Standard

BSP	B
NPT	N
Other Please Specify	O

Material

S S 304	30
S S 316	31
S S 316L	36
M S	61

Sample ordering code

KBV HP 04

B

30

B30

Some Major Sectors that **Kains** Serves



Beverages



Pharmaceutical



Ship Building



Chemical Industry



Pulp & Paper



Cement



Power Plant



Steel Plant



Refinery



Petrochemical



Machine Tool



Bio Tech



kains Instruments India Pvt. Ltd

#9A, Jyothi Complex Road, Abbigere Main Road,
Kammagondanahalli, Jalahalli West, Bangalore-560 015
Ph:+9180 41178502, 65978735, Fax: +9180 41178402,
Email: sales@kainsindia.com

www.kainsindia.com