



[Inside >>](#)

Dampeners 3

Gauge Saver 4

2 Way Gauge Cock 6

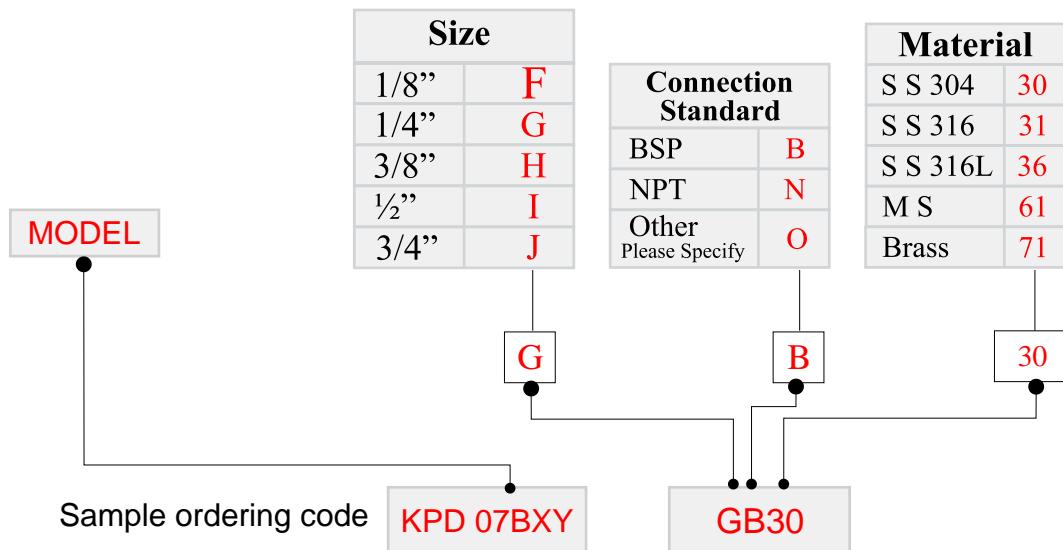
3 Way Gauge Cock 8

Siphon 9

Dampeners

Model: KPD 07BXY

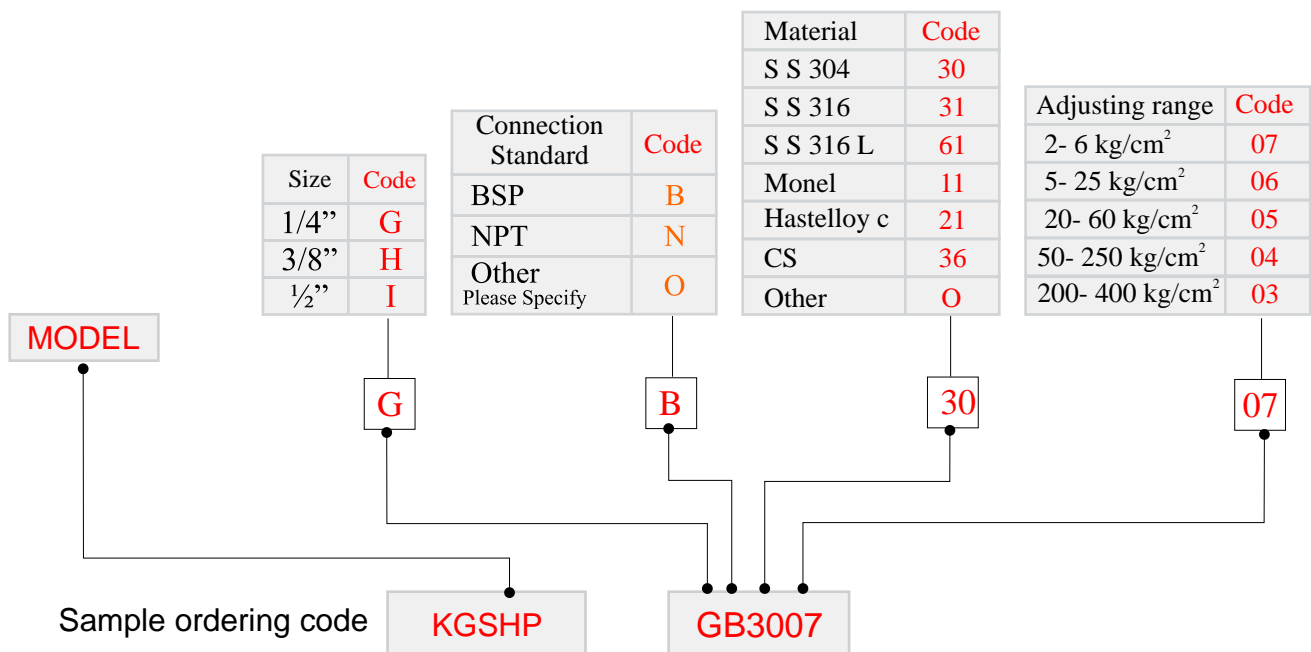
Pulsation Dampeners can be used where there is a heavy fluctuation in the process pressure and not able to read the measured value properly. Dampeners will reduce the fluctuating rate of a media to a reasonable extend. Dampeners are engineered with an inbuilt Stainless steel float / pistons which will reduce the pulsation and will protect the instrument from heavy fluctuation of pressure. With the adjusting screw provided externally even you can adjust the flow fluctuation to a small extend. Dampener has designed for a working pressure of 700kg/cm2. Dampeners are available in different thread size for line mounting.



Gauge Saver

Model: KGSHP

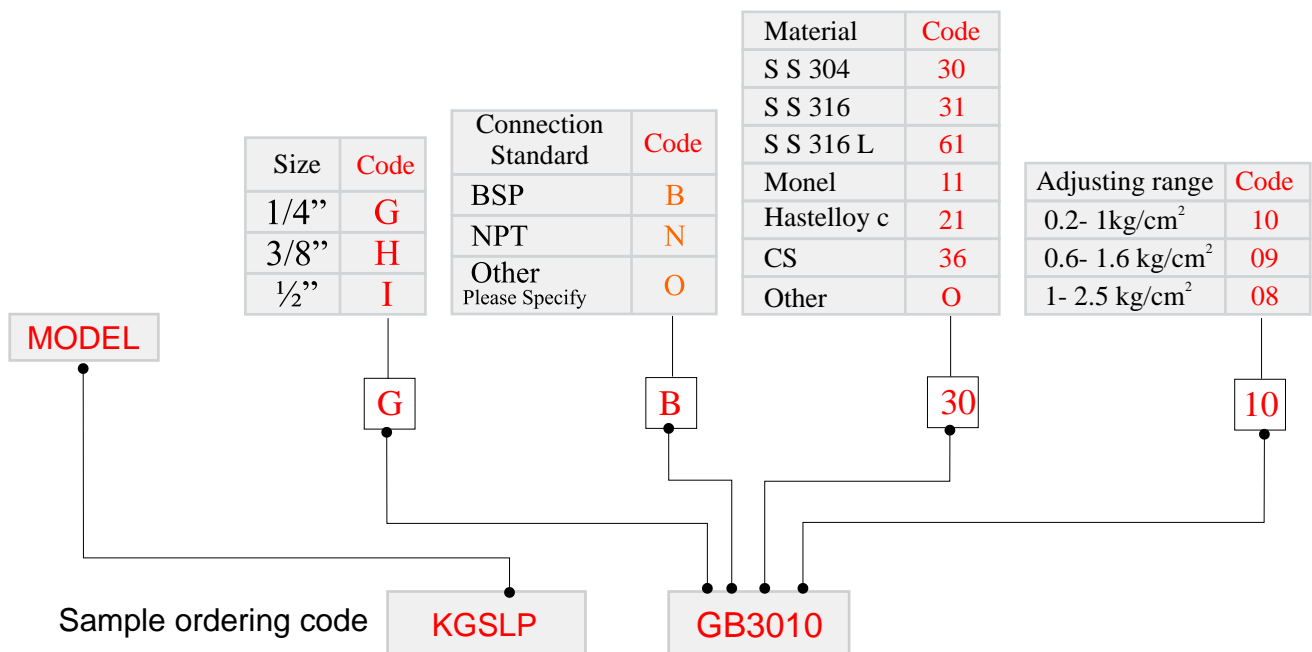
To protect the pressure instruments from over pressure. (Suggested to all expensive pressure instruments like Industrial Gauges, Diaphragm gauges, Special Purpose Gauges, Pressure transmitters and Pressure switches). Over pressure protector 'or' Gauge Saver' has in inbuilt spring loaded piston which can be externally adjusted for a set pressure. When the pressure attained to the set value the spring will actuate and the piston will close the instrument inlet path. And it will reopen once the pressure drops down by 15 to 25 % of set value. Different materials of constructions can be chosen according to the media. Over pressure protector has designed for a different working pressure of 2Kg/cm² to 1000kg/cm².



Gauge Saver

Model: **KGSLP**

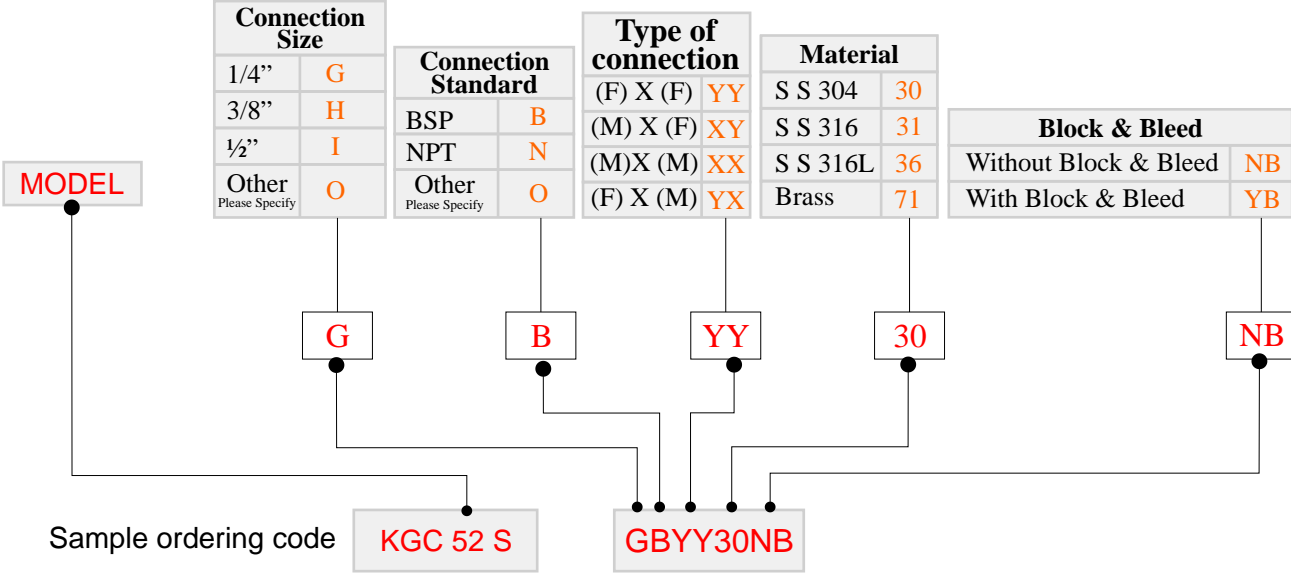
To protect the pressure instruments from over pressure. (Suggested to all expensive pressure instruments like Industrial Gauges, Diaphragm gauges, Special Purpose Gauges, Pressure transmitters and Pressure switches). Over pressure protector 'or' Gauge Saver' has in built spring loaded piston which can be externally adjusted for a set pressure. When the pressure attained to the set value the spring will actuate and the piston will close the instrument inlet path. And it will reopen once the pressure drops down by 15 to 25 % of set value. Different materials of constructions can be chosen according to the media. Over pressure protector has designed for a different working pressure of 1000mmWc to 2.5Kg/cm².



2 Way Gauge Cock

Model: KGC 52S

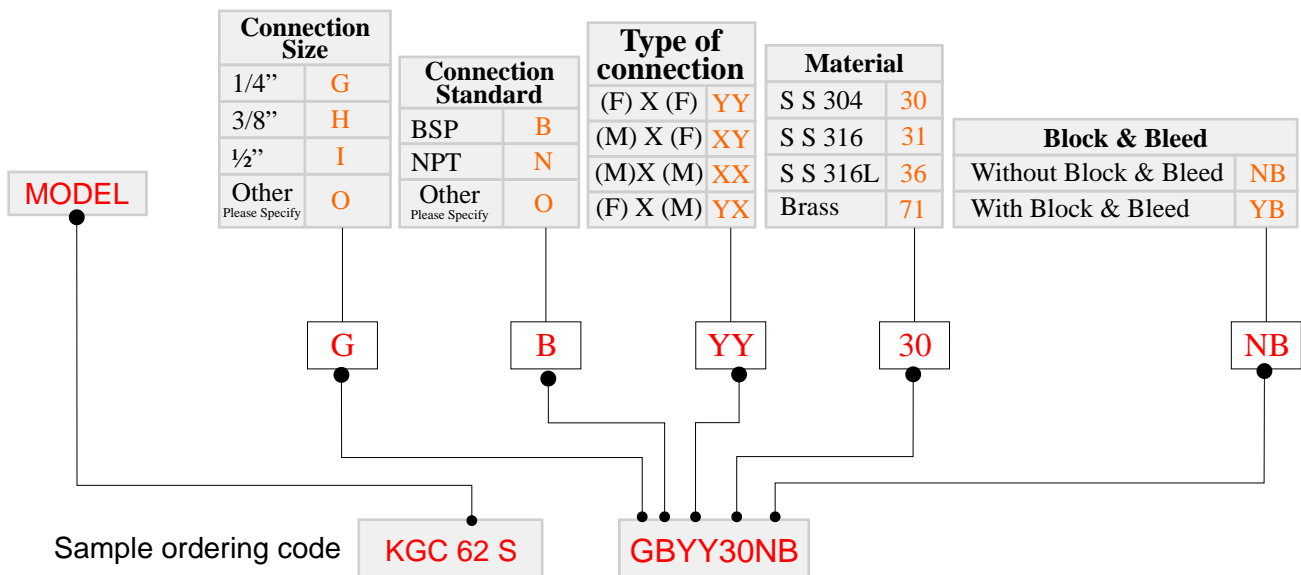
Gauge Cocks are designed for a working pressure up to 60kg/cm² as well as for vacuum and are available with threaded ends for line mounting. Cocks are available in 2way with or without 'block and bleed'.



2 Way Gauge Cock

Model: **KGC 62S**

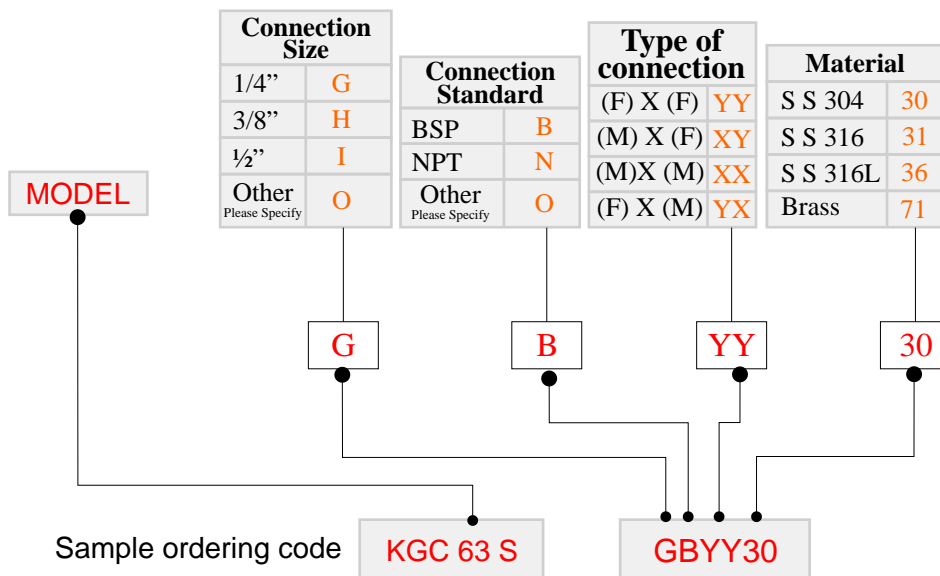
Gauge Cocks are designed for a working pressure up to 60kg/cm² as well as for vacuum and are available with threaded ends for line mounting. Cocks are available in 2way with or without 'block and bleed'.



3 Way Gauge Cock

Model: KGC 63S

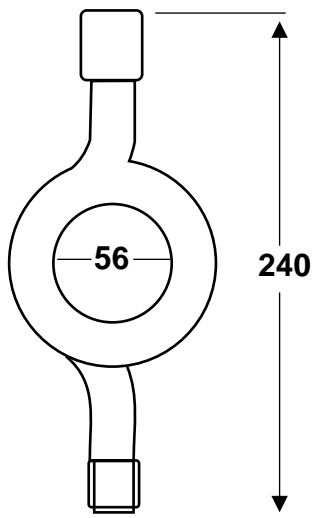
Gauge Cocks are designed for a working pressure up to 60kg/cm² as well as for vacuum and are available with threaded ends for line mounting. Cocks are available in 3way (inlet X 1 and outlet X 2).



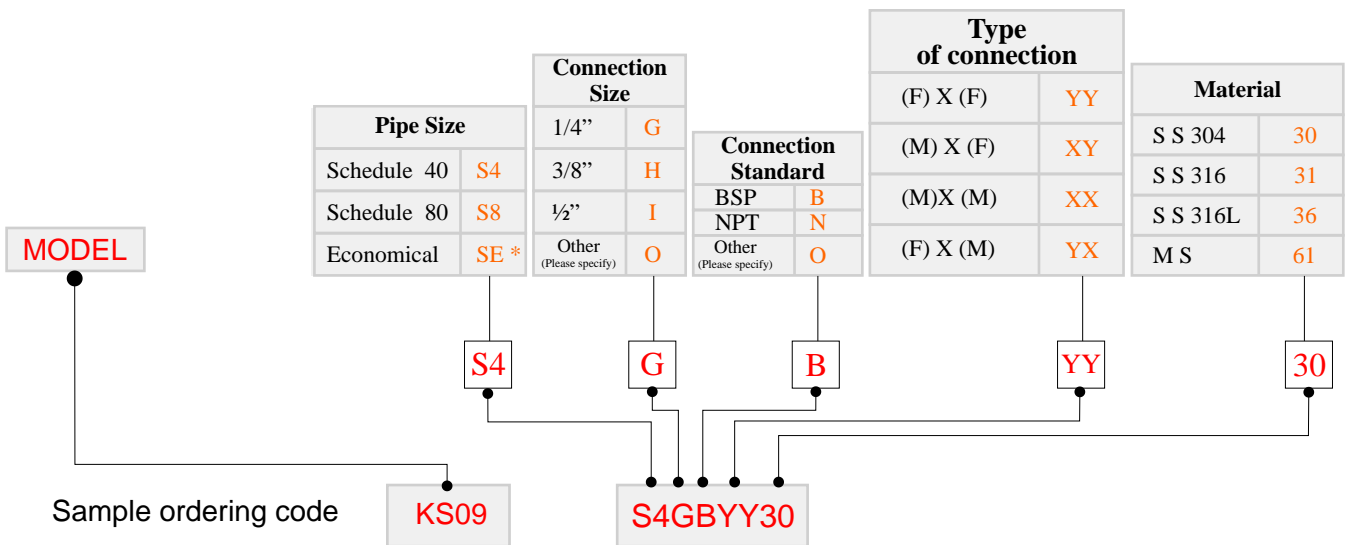
Siphon

Model: KS09

For process, where there is a temperature; more than that of ambient. Kains Siphon will partially cool down the temperature of the media and will protect the instrument from high Temperature. Siphons are engineered for a Pressure of 600kg. Siphon can withstand a temperature of 600 deg. Celsius.



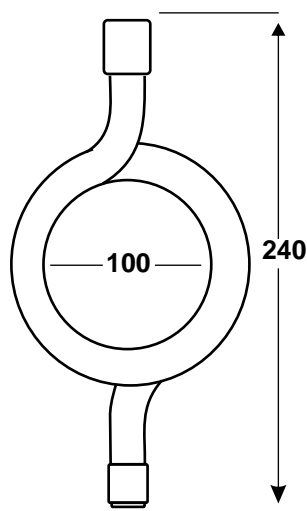
Pig tail ('Q' type)



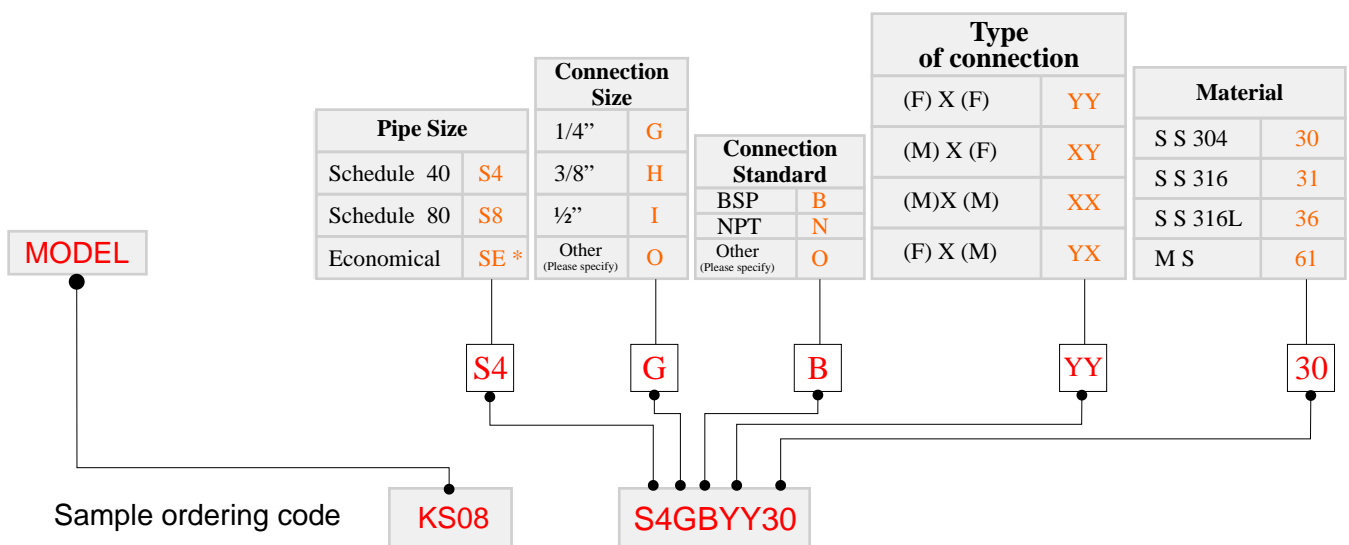
Siphon

Model: KS08

For process, where there is a temperature; more than that of ambient. Kains Siphon will partially cool down the temperature of the media and will protect the instrument from high Temperature. Siphons are engineered for a Pressure of 600kg. Siphon can withstand a temperature of 600 deg. Celsius.



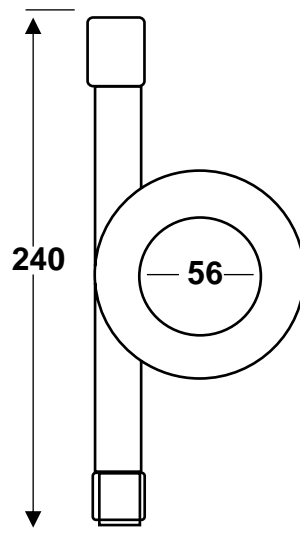
Pig tail ('Q' type)



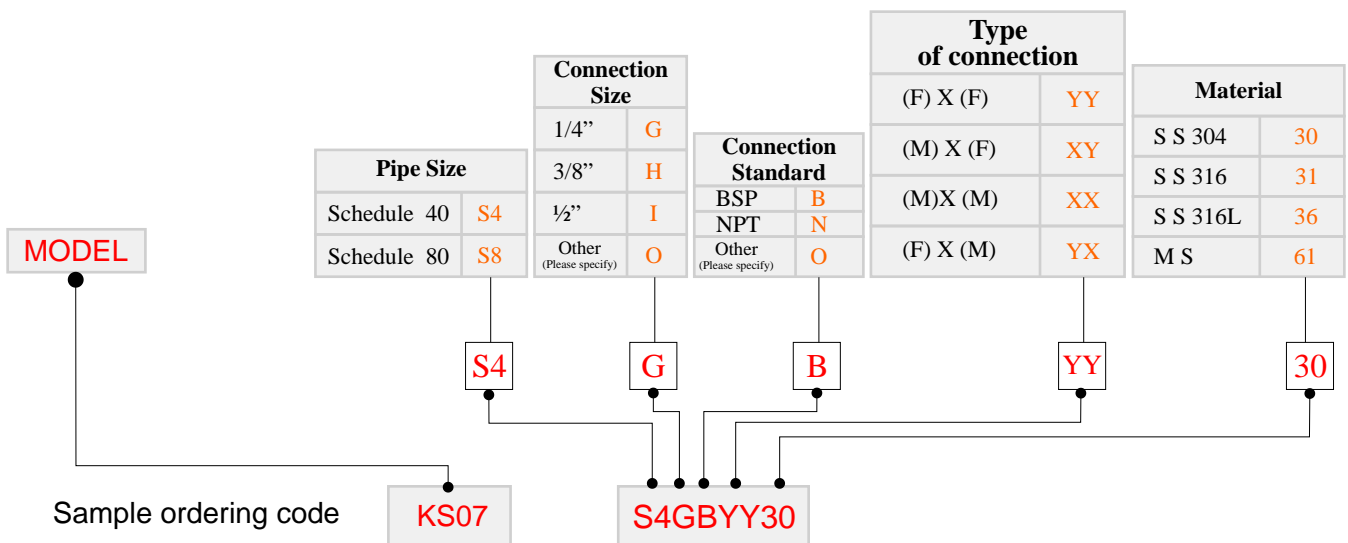
Siphon

Model: KS07

For process, where there is a temperature; more than that of ambient. Kains Siphon will partially cool down the temperature of the media and will protect the instrument from high Temperature. Siphons are engineered for a Pressure of 600kg. Siphon can withstand a temperature of 600 deg. Celsius.



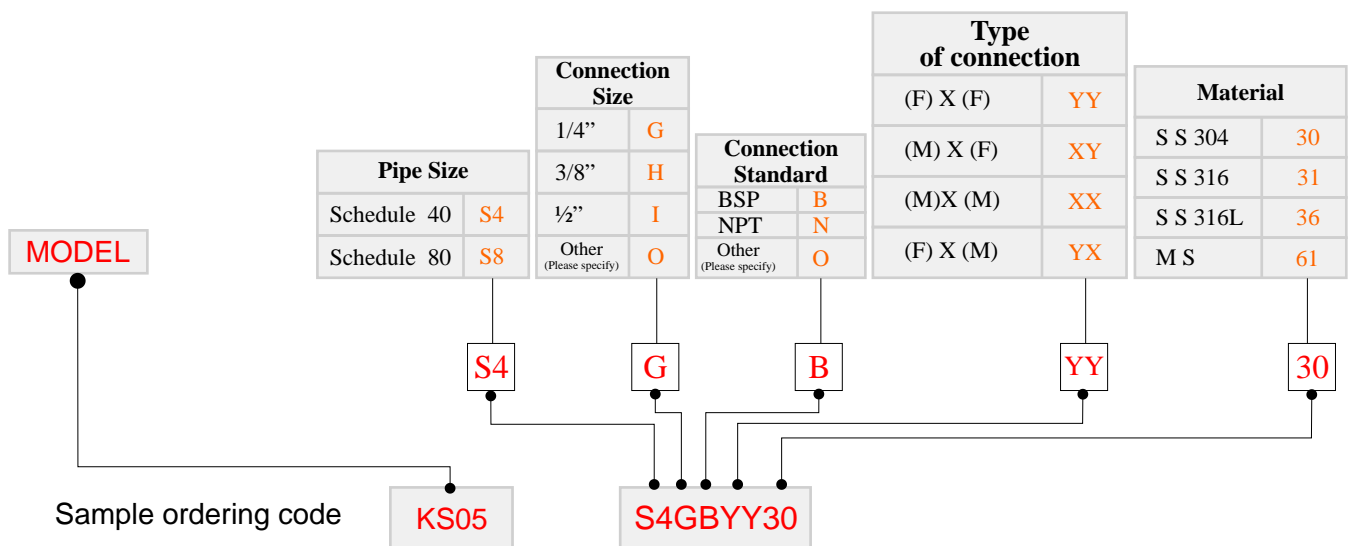
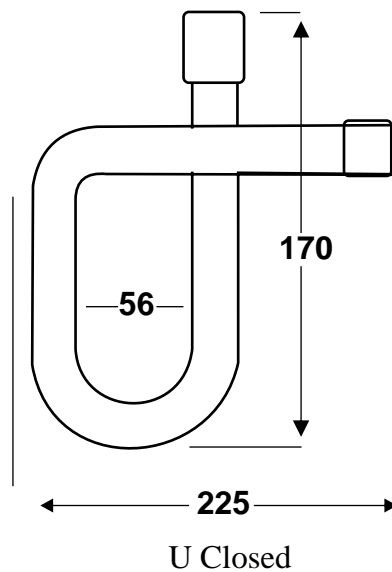
Pig tail ('Q' type)



Siphon

Model: KS05

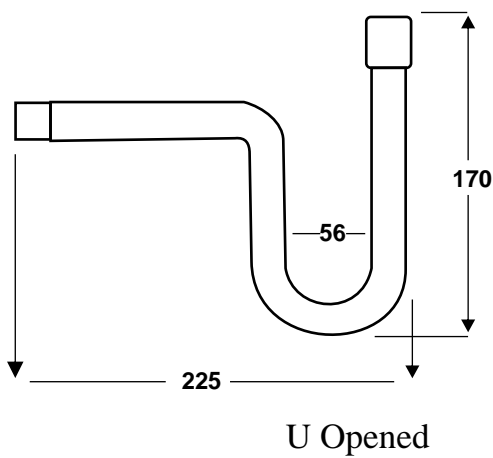
For process, where there is a temperature; more than that of ambient. Kains Siphon will partially cool down the temperature of the media and will protect the instrument from high Temperature. Siphons are engineered for a Pressure of 600kg. Siphon can withstand a temperature of 600 deg. Celsius.



Siphon

Model: KS06

For process, where there is a temperature; more than that of ambient. Kains Siphon will partially cool down the temperature of the media and will protect the instrument from high Temperature. Siphons are engineered for a Pressure of 600kg. Siphon can withstand a temperature of 600 deg. Celsius.



Pointer Puller

Model: **KPPA**

To remove the pointer for calibration & span adjustment.

