



Inside >>

General Specification	3
Available Mountings & Ordering Information	4
Standard Ranges	5
Bottom connection direct Mounting	6
Bottom connection surface Mounting	7
Back connection direct Mounting (Eccentric)	8
Back connection direct Mounting (Centric)	9
Back connection Panel Mounting (Eccentric)	10
Back connection with bracket Mounting (Eccentric)	11
Back connection Bracket Mounting (Centric)	12

General Specification

Application

For Industrial pressure measurement

Type

Weather proof

Glycerin filled



Model	KPG10	KPG20	KPG11	KPG21	KPG12	KPG 22
Type	Weather proof	Glycerin filled	Weather proof	Glycerin filled	Weather proof	Glycerin filled
Case and bezel	SS 304 (Screwed bezel)		SS 304 (Screwed bezel)		M S rust protected (Screwed bezel)	
Bourdon Tube	SS 316		Brass		Brass	
Socket	SS 316		Brass		Brass	
Sector mechanism	SS 304		Brass		Brass	
Dial	Aluminum		Aluminum		Aluminum	
Dial marking	Black marking on white surface		Black marking on white surface		Black marking on white surface	
Scale	Duel Scale (Kg/cm2 and PSI Standard ranges)		Duel Scale (Kg/cm2 and PSI Standard ranges)		Duel Scale (Kg/cm2 and PSI Standard ranges)	
Window	Toughened Glass/ Acrylic		Glass/ Snap in acrylic		Glass/ Snap in acrylic	
Pointer	Black Aluminum/ Black ABS		Black Aluminum/ Black ABS		Black Aluminum/ Black ABS	

Optional

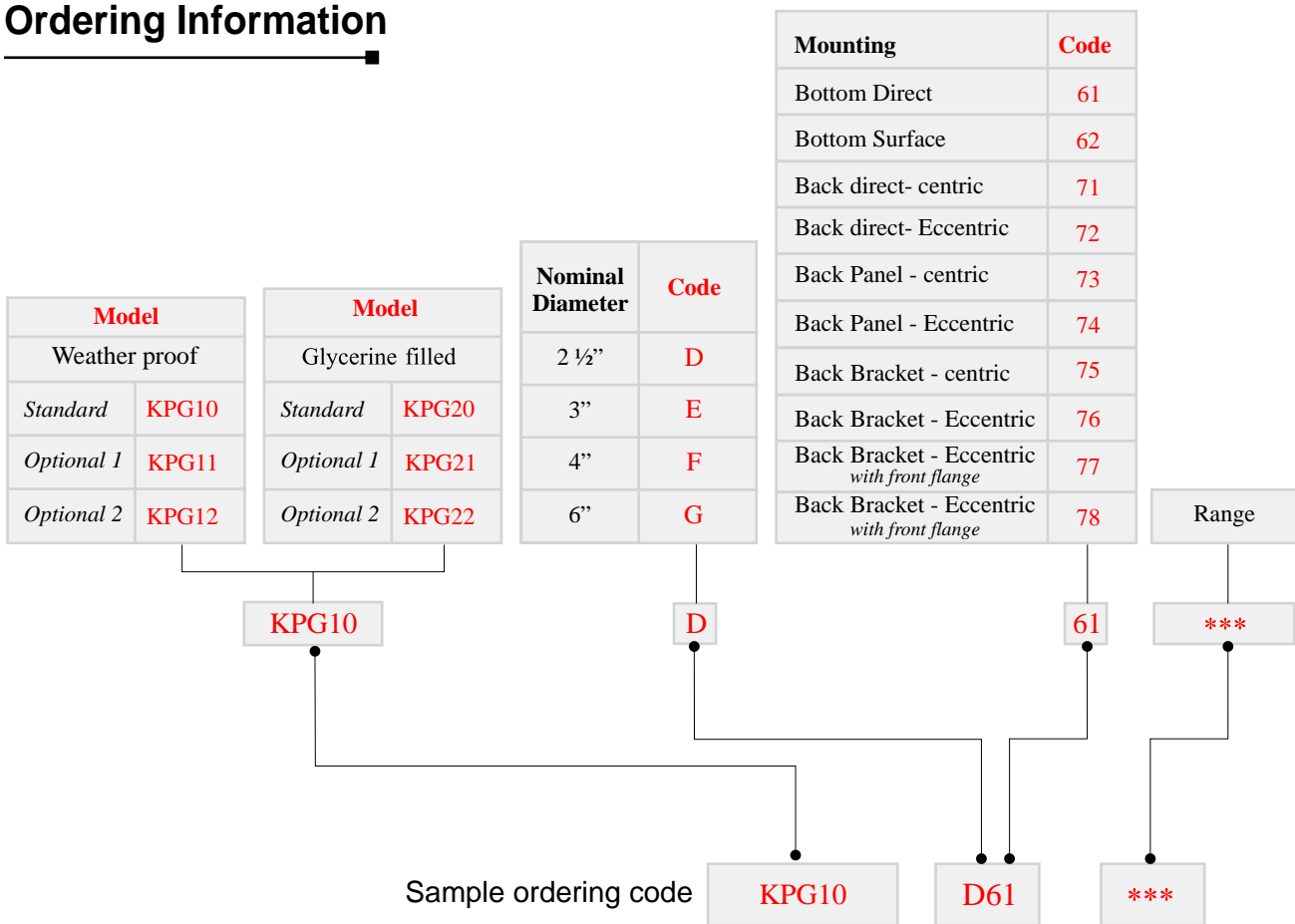
- NPT & Other standard Threads
- Customized dial markings
- Other Units: Kpa, Mpa, bar, ton, atm and torr
- Externally adjustable red follower pointer
(2.5", 3", 4" & 6")
- Nickel plated socket
- Special colored Case & Bezel

Nominal Diameter		Accuracy		Connection
		Weather proof	Glycerin filled	
inch	mm	KPG10 KPG11 KPG12	KPG20 KPG21 KPG 22	
2 1/2"	63mm	1.5%	2.5%	1/4" BSP
3"	80mm	1.5%	2.5%	3/8" BSP
4"	100mm	1%	1.5%	1/2" BSP
6"	150mm	1%	1.5%	1/2" BSP

Available Mountings

Nominal Diameter	2 1/2" 63mm	3" 80mm	4" 100mm	6" 150mm
Bottom Direct	✓	✓	✓	✓
Bottom Surface	X	✓	✓	✓
Back direct- centric	✓	✓	X	X
Back direct- Eccentric	X	X	✓	✓
Back Panel - centric	✓	✓	X	X
Back Panel - Eccentric	X	X	✓	✓
Back Bracket - centric	✓	✓	X	X
Back Bracket - Eccentric	X	X	✓	✓
Back Bracket - centric <i>with front flange</i>	✓	✓	X	X
Back Bracket - Eccentric <i>with front flange</i>	X	X	✓	✓

Ordering Information



* Select from the following table

* Specify Optional requirements

Standard Ranges

Duel Scale	
Pressure ranges	Code
0 15 PSI / 1.06Kg/cm2	201
0 30 PSI / 2.1 Kg/cm2	202
0 60 PSI / 4.2 Kg/cm2	203
0 100 PSI/ 7 Kg/cm2	204
0 150 PSI / 10.6 Kg/cm2	205
0 200 PSI / 14 Kg/cm2	206
0 250 PSI / 17.5 Kg/cm2	207
0 300 PSI / 21 Kg/cm2	208
0 400 PSI / 28 Kg/cm2	209
0 600 PSI / 42 Kg/cm2	210
0 1000 PSI / 70 Kg/cm2	211
0 1500 PSI / 106 Kg/cm2	212
0 2000 PSI / 140 Kg/cm2	213
0 2500 PSI / 175 Kg/cm2	214
0 3000 PSI / 210 Kg/cm2	215
0 4000 PSI / 280 Kg/cm2	216
0 6000 PSI / 420 Kg/cm2	217
0 10000 PSI / 700 Kg/cm2	218
0 15000 PSI / 1060 Kg/cm2	219
Other Optional - specify	200

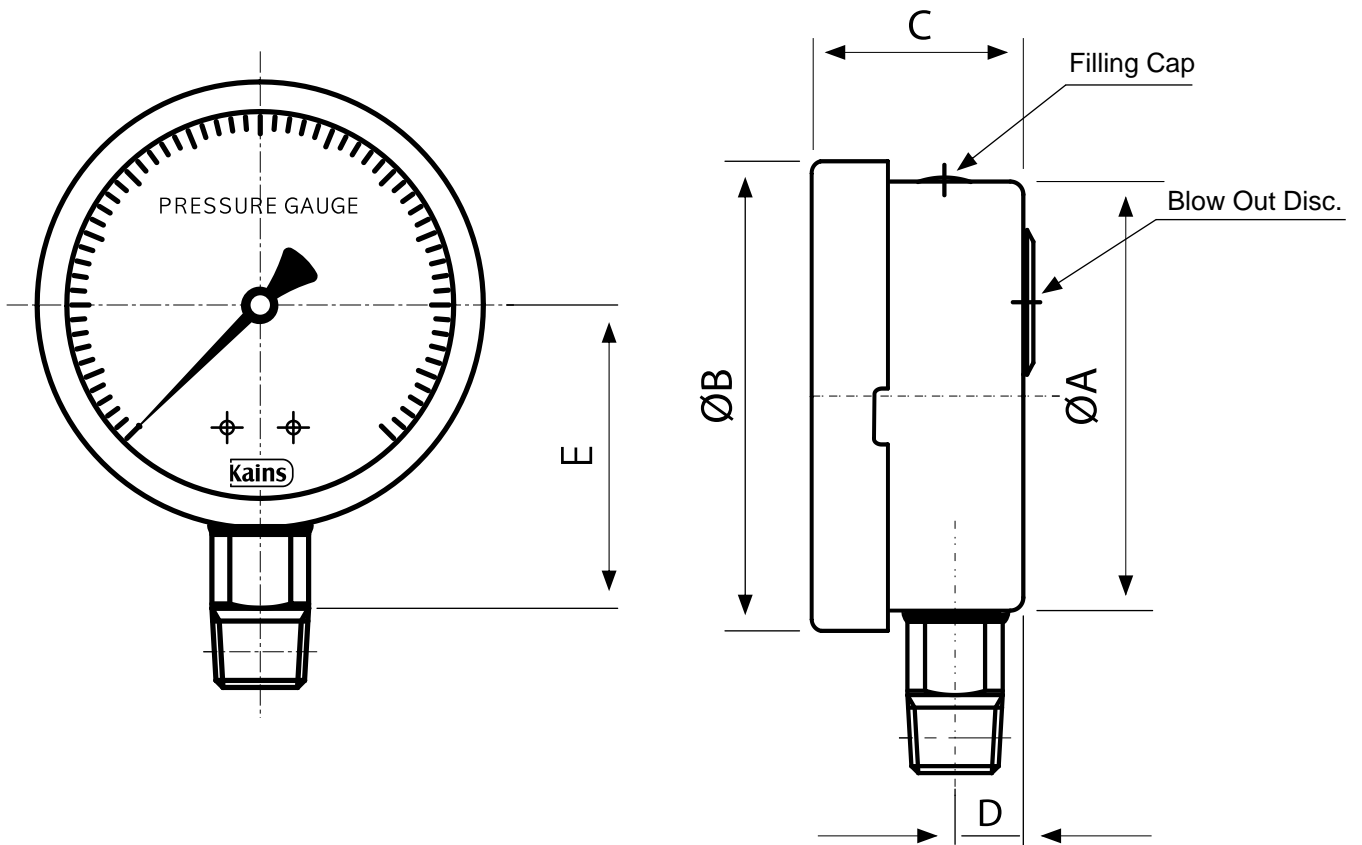
Single Scale	
Pressure ranges	Code
0 ... 1 Kg/cm2	101
0 ... 1.6 Kg/cm2	102
0 ... 2.5 Kg/cm2	103
0 ... 4 Kg/cm2	104
0 ... 6 Kg/cm2	105
0 ... 10 Kg/cm2	106
0 ... 16 Kg/cm2	107
0 ... 25 Kg/cm2	108
0 ... 40 Kg/cm2	109
0 ... 60 Kg/cm2	110
0 ... 100 Kg/cm2	111
0 ... 160 Kg/cm2	112
0 ... 250 Kg/cm2	113
0 ... 600 Kg/cm2	114
0 ... 1000 Kg/cm2	115
Other Optional - specify	100

Duel Scale	
Vacuum and Compound	Code
0.... - 760 mm Hg	301
-760 ... 1.06 Kg/cm2	302
-760 ... 2.1 Kg/cm2	303
-760 ... 4.2 Kg/cm2	304
-760 ... 7 Kg/cm2	305
-760 ... 10.6 Kg/cm2	306
-760 ... 14 Kg/cm2	307
-760 ... 17.5 Kg/cm2	308
-760 ... 21 Kg/cm2	309
-760 ... 28 Kg/cm2	310
Other Optional - specify	300

Single scale	
Vacuum and Compound	Code
0 ... - 1 Kg/cm2	401
- 1 ... 1kg/cm2	402
- 1 ... 2kg/cm2	403
- 1 ... 2.5kg/cm2	404
- 1 ... 4kg/cm2	405
- 1 ... 6kg/cm2	406
- 1 ... 7kg/cm2	407
- 1 ... 10kg/cm2	408
- 1 ... 16kg/cm2	409
- 1 ... 25kg/cm2	410
Other Optional - specify	400

Size	2 1/2"	3"	4"	6"
Available Range	201 - 217	201 - 217	201 - 219	201 - 219
	101 - 113	101 - 113	101 - 115	101 - 115
	301 - 306	301 - 306	301 - 310	301 - 310
	401 - 408	401 - 408	401 - 410	401 - 410

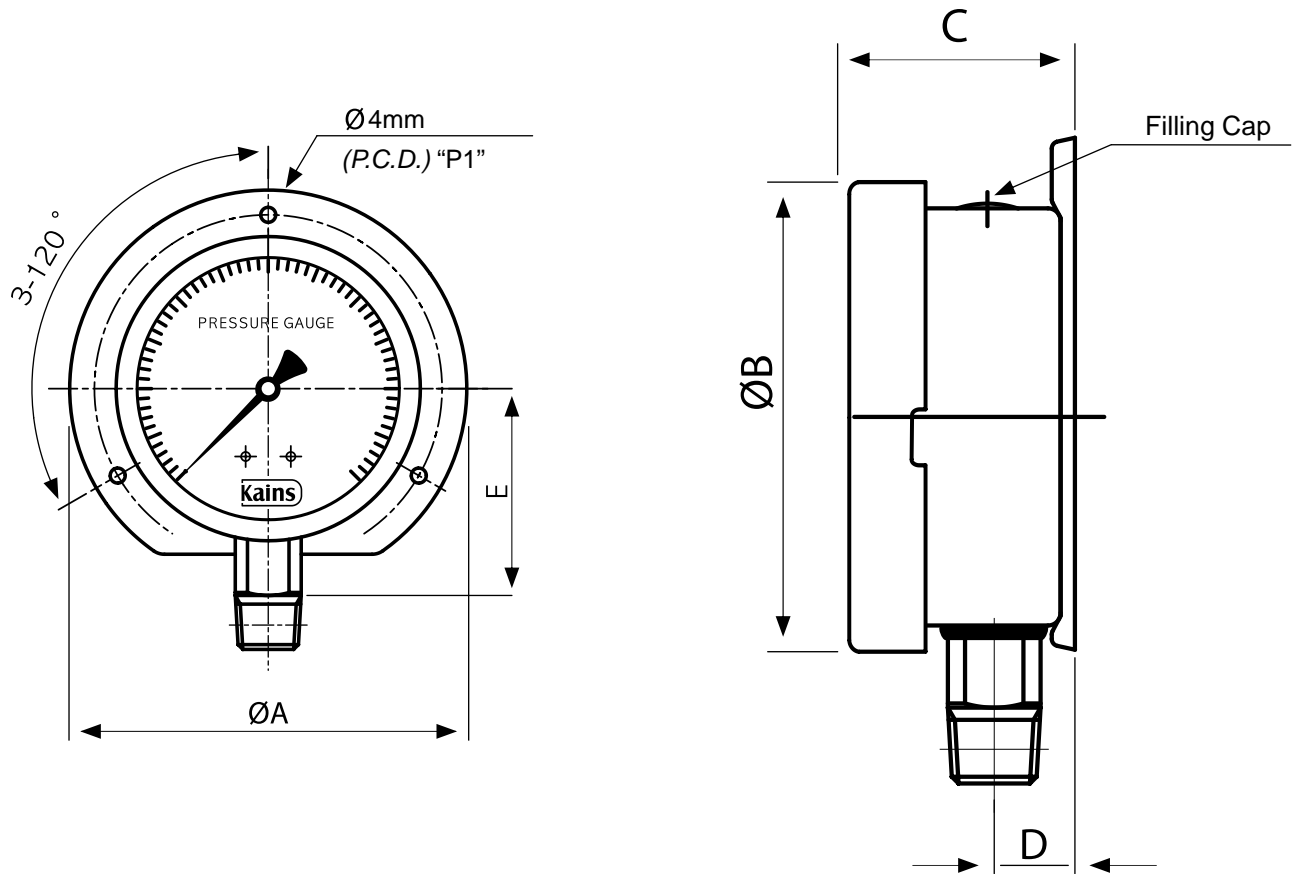
Bottom Connection Direct Mounting



Dimensions (mm)

Dial Size	A	B	C	D	E
63	62	70	30	12	45
80	79	88	32	14	54
100	99	108	47	15	75
150	148	160	47	15	102

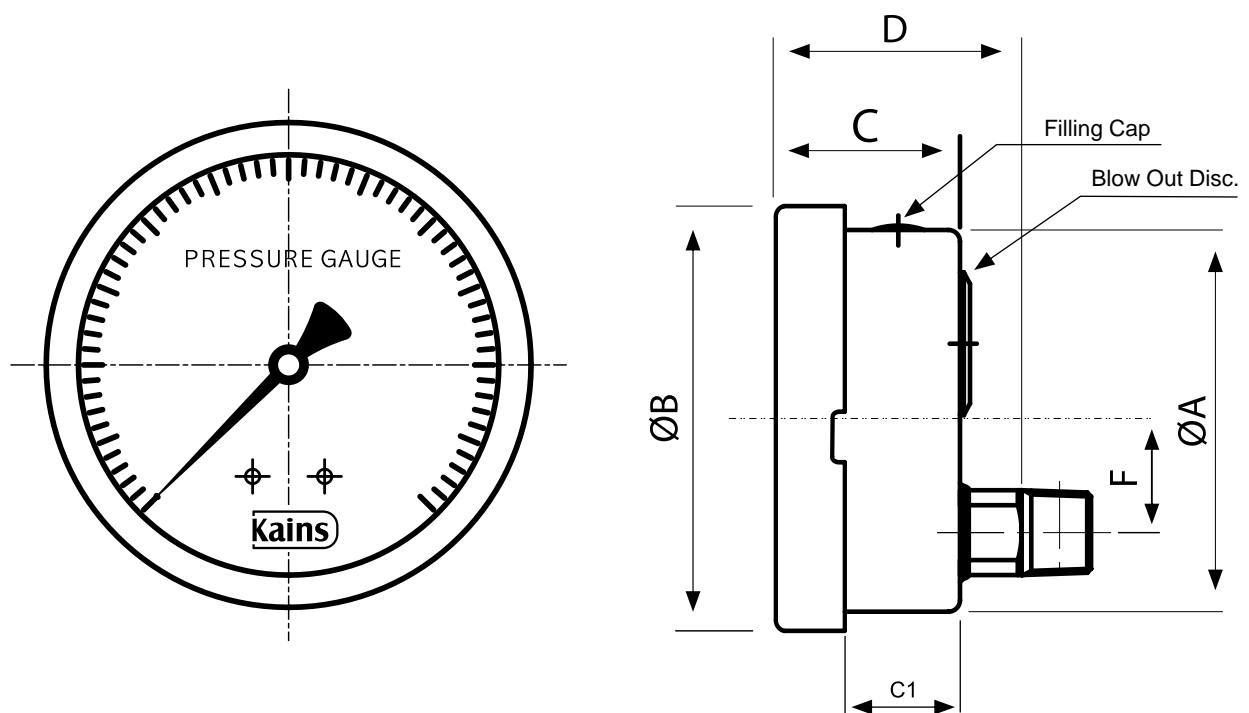
Bottom Connection Surface Mounting



Dimensions (mm)

Dial Size	A	B	C	D	E	P1
63	—	70	30	12	45	—
80	108	88	32	14	54	95
100	133	108	47	15	75	116
150	196	160	47	15	102	178

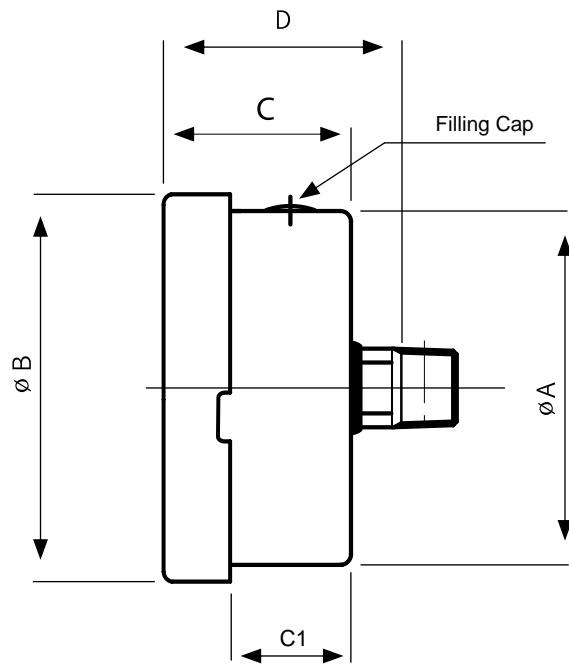
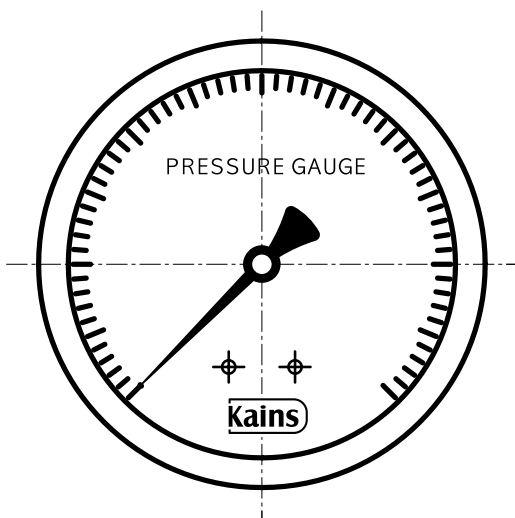
Back connection Direct Mounting (Eccentric)



Dimensions (mm)

Dial Size	A	B	C	D	F	C1
100	99	108	47	65	35	33
150	148	160	47	65	50	33

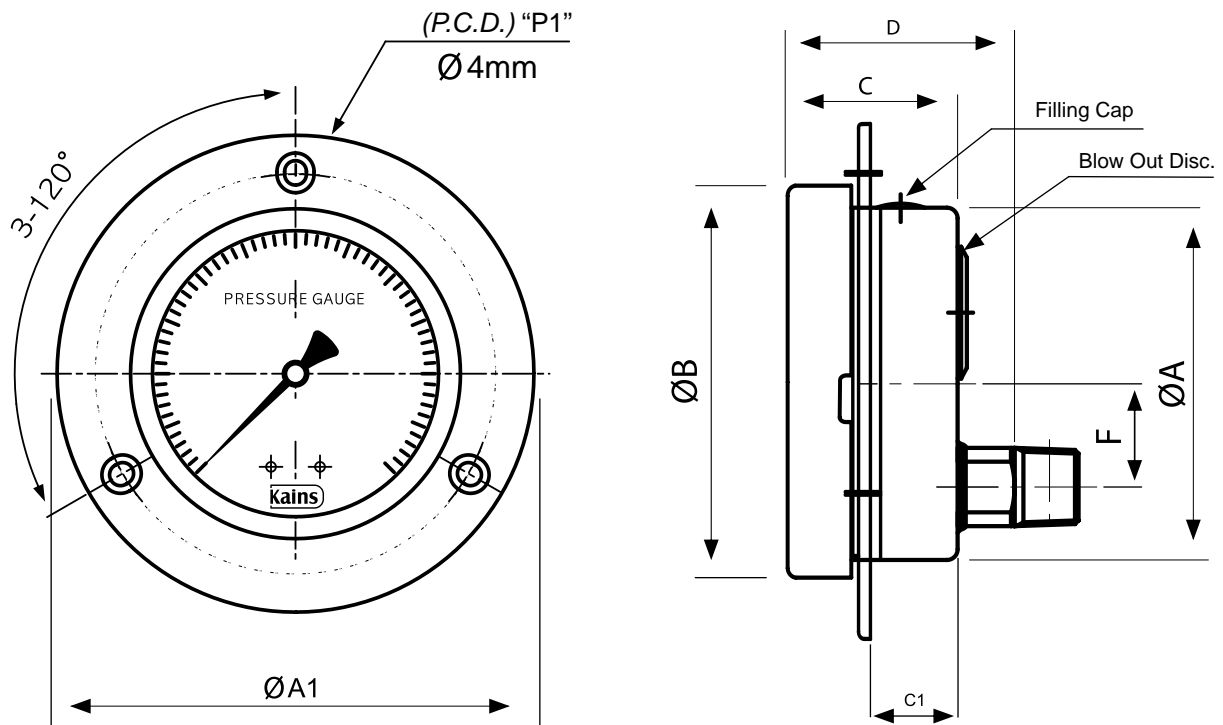
Back connection Direct Mounting - (Centric)



Dimensions (mm)

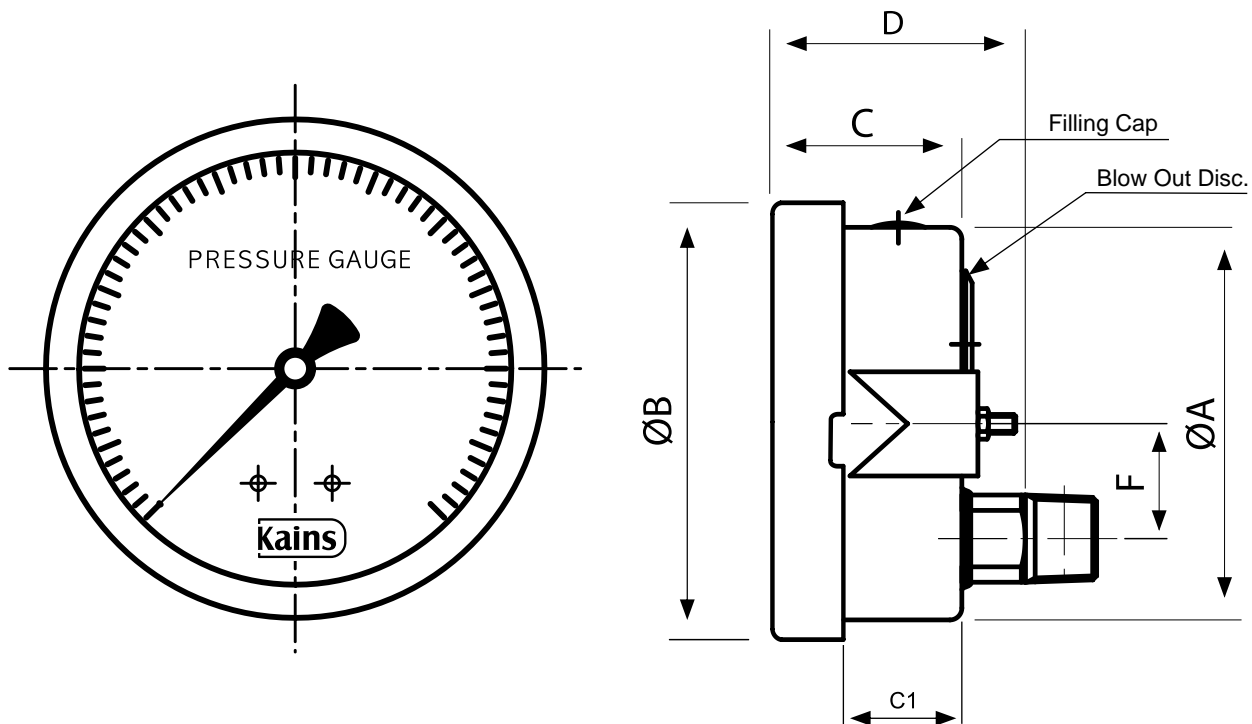
Dial Size	A	B	C	D	C1
63	62	70	30	46	19
80	79	88	32	48	22

Back connection Panel Mounting (Eccentric)



Dial Size	A	B	C	D	A1	C1	P1	F
100	108	101	47	65	132	26	116	35
150	160	150	47	65	196	26	178	50

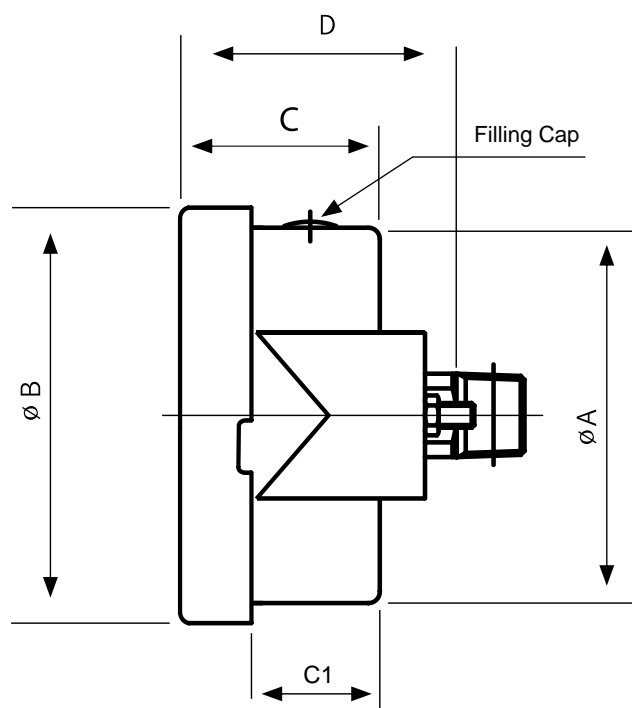
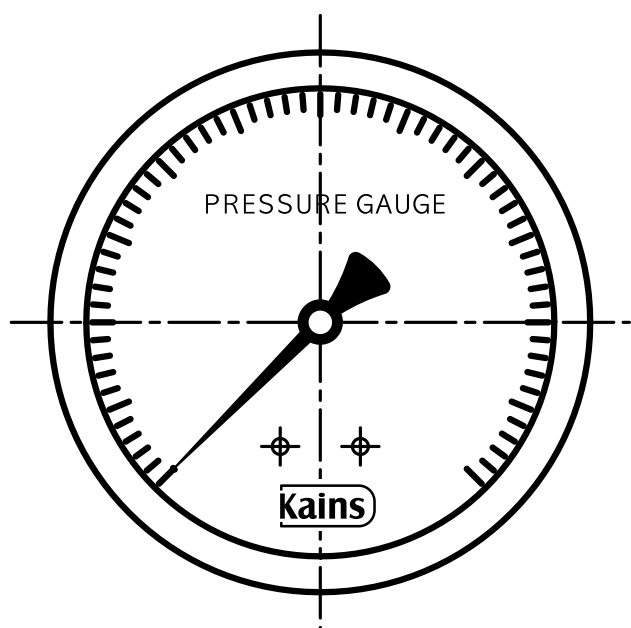
Back connection with bracket Mounting (Eccentric)



Dimensions (mm)

Dial Size	A	B	C	D	F	C1
100	99	108	47	65	35	33
150	148	160	47	65	50	33

Back connection bracket Mounting (Centric)



Dimensions (mm)

Dial Size	A	B	C	D	C1
63	62	70	30	46	19
80	79	88	32	48	22