



## Inside >>

General Specification	3
Available Mountings & Ordering Information	4
Standard Ranges	5
Bottom connection direct Mounting	6
Bottom connection surface Mounting	7
Back connection direct Mounting (Eccentric)	8
Back connection direct Mounting (Centric)	9
Back connection Panel (Eccentric)	10
Back connection Panel (Centric)	11
Back connection with bracket (Eccentric)	12
Back connection Bracket Mounting (Centric)	13
Back connection bracket with front flange (Eccentric)	14

# General Specification

## Application

For Industrial pressure measurement

## Type

Weather proof

Glycerin filled



Model	KHG11	KHG21	KHG10	KHG20	KHG12	KHG 22
Type	Weather proof	Glycerin filled	Weather proof	Glycerin filled	Weather proof	Glycerin filled
Case and bezel	SS 304 (crimped bezel)		SS 304 (crimped bezel)		M S rust protected (crimped bezel)	
Bourdon Tube	Brass		SS 304		Brass	
Socket	Brass		SS 304		Brass	
Sector mechanism	Brass		SS 304		Brass	
Dial	Aluminum		Aluminum		Aluminum	
Dial marking	Black marking on white surface		Black marking on white surface		Black marking on white surface	
Scale	Duel Scale (Kg/cm2 and PSI Standard ranges)		Duel Scale (Kg/cm2 and PSI Standard ranges)		Duel Scale (Kg/cm2 and PSI Standard ranges)	
Window	Glass/ Snap in acrylic		Glass/ Snap in acrylic		Glass/ Snap in acrylic	
Pointer	Black Aluminum/ Black ABS		Black Aluminum/ Black ABS		Black Aluminum/ Black ABS	

## Optional

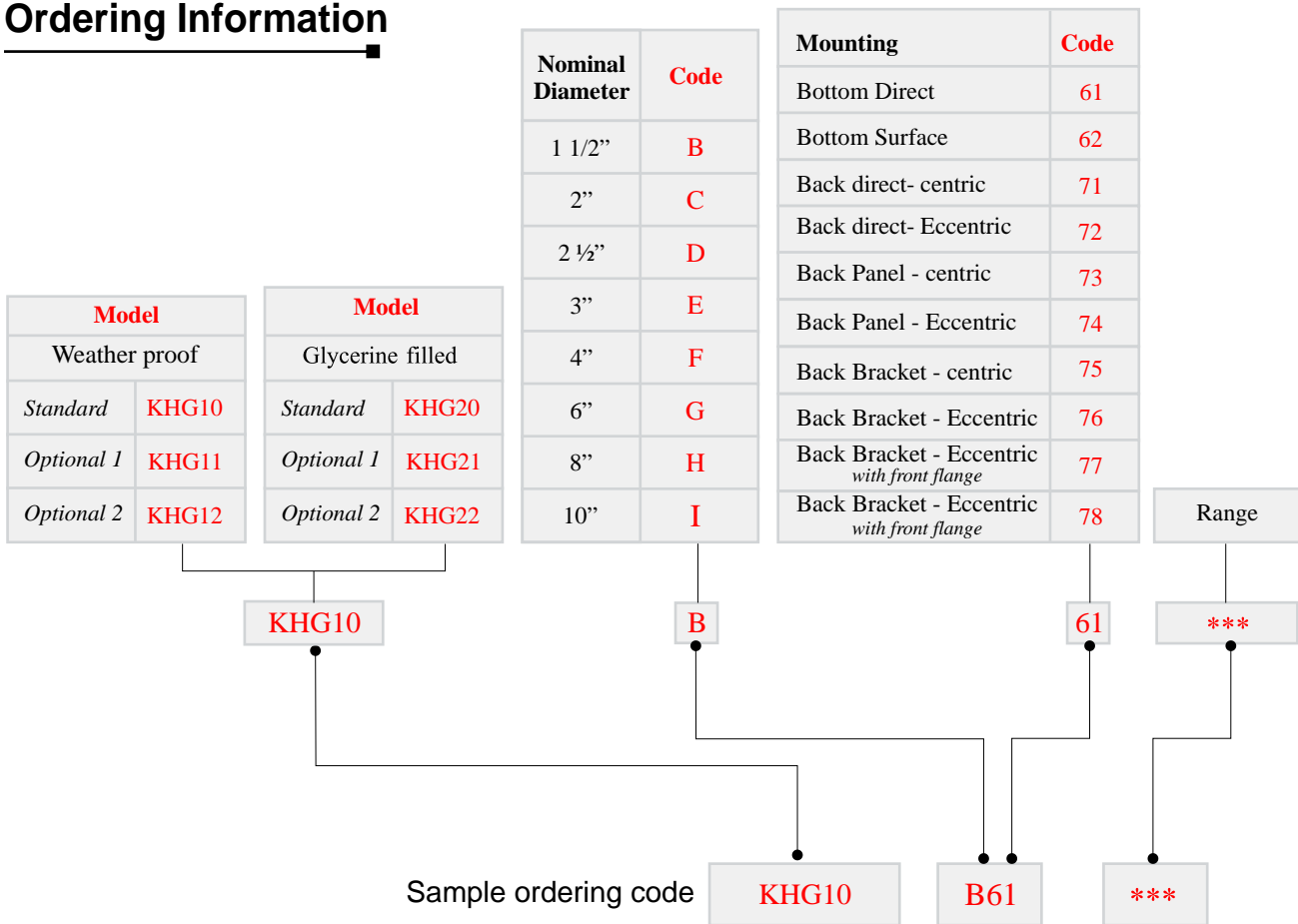
- NPT & Other standard Threads
- Customized dial markings
- Other Units: Kpa, Mpa, bar, ton, atm and torr
- Externally adjustable red follower pointer  
(2.5", 3", 4" & 6")
- Nickel plated socket
- Special colored Case & Bezel

Nominal Diameter		Accuracy		Connection
		Weather proof	Glycerin filled	
inch	mm	KHG10 KHG11 KHG12	KHG20 KHG21 KHG 22	
1 1/2"	40mm	2%	3%	1/8" BSP
2"	50mm	1.5%	2.5%	1/4" BSP
2 1/2"	63mm	1.5%	2.5%	1/4" BSP
3"	80mm	1.5	2.5%	3/8" BSP
4"	100mm	1%	1.5%	3/8" BSP
6"	150mm	1%	1.5%	3/8" BSP

# Available Mountings

Nominal Diameter	1 1/2" 40 mm	2" 50mm	2 1/2" 63mm	3" 80mm	4" 100mm	6" 150mm
Bottom Direct	✓	✓	✓	✓	✓	✓
Bottom Surface	X	X	X	✓	✓	✓
Back direct- centric	✓	✓	✓	✓	X	X
Back direct- Eccentric	X	X	X	X	✓	✓
Back Panel - centric	X	✓	✓	✓	X	X
Back Panel - Eccentric	X	X	X	X	✓	✓
Back Bracket - centric	✓	✓	✓	✓	X	X
Back Bracket - Eccentric	X	X	X	X	✓	✓
Back Bracket - centric <i>with front flange</i>	X	✓	✓	✓	X	X
Back Bracket - Eccentric <i>with front flange</i>	X	X	X	X	✓	✓

## Ordering Information



\* Select from the following table

\* Specify Optional requirements

## Standard Ranges

Duel Scale	
Pressure ranges	Code
0 ... 15 PSI / 1.06Kg/cm2	201
0 ... 30 PSI / 2.1 Kg/cm2	202
0 ... 60 PSI / 4.2 Kg/cm2	203
0 ... 100 PSI/ 7 Kg/cm2	204
0 ... 150 PSI / 10.6 Kg/cm2	205
0 ... 200 PSI / 14 Kg/cm2	206
0 ... 250 PSI / 17.5 Kg/cm2	207
0 ... 300 PSI / 21 Kg/cm2	208
0 ... 400 PSI / 28 Kg/cm2	209
0 ... 600 PSI / 42 Kg/cm2	210
0 ... 1000 PSI / 70 Kg/cm2	211
0 ... 1500 PSI / 106 Kg/cm2	212
0 ... 2000 PSI / 140 Kg/cm2	213
0 ... 2500 PSI / 175 Kg/cm2	214
0 ... 3000 PSI / 210 Kg/cm2	215
0 ... 4000 PSI / 280 Kg/cm2	216
0 ... 6000 PSI / 420 Kg/cm2	217
0 ... 10000 PSI / 700 Kg/cm2	218
0 ... 15000 PSI / 1060 Kg/cm2	219
*Other Optional - specify	200

Single Scale	
Pressure ranges	Code
0 ... 1 Kg/cm2	101
0 ... 1.6 Kg/cm2	102
0 ... 2.5 Kg/cm2	103
0 ... 4 Kg/cm2	104
0 ... 6 Kg/cm2	105
0 ... 10 Kg/cm2	106
0 ... 16 Kg/cm2	107
0 ... 25 Kg/cm2	108
0 ... 40 Kg/cm2	109
0 ... 60 Kg/cm2	110
0 ... 100 Kg/cm2	111
0 ... 160 Kg/cm2	112
0 ... 250 Kg/cm2	113
0 ... 600 Kg/cm2	114
0 ... 1000 Kg/cm2	115
*Other Optional - specify	100

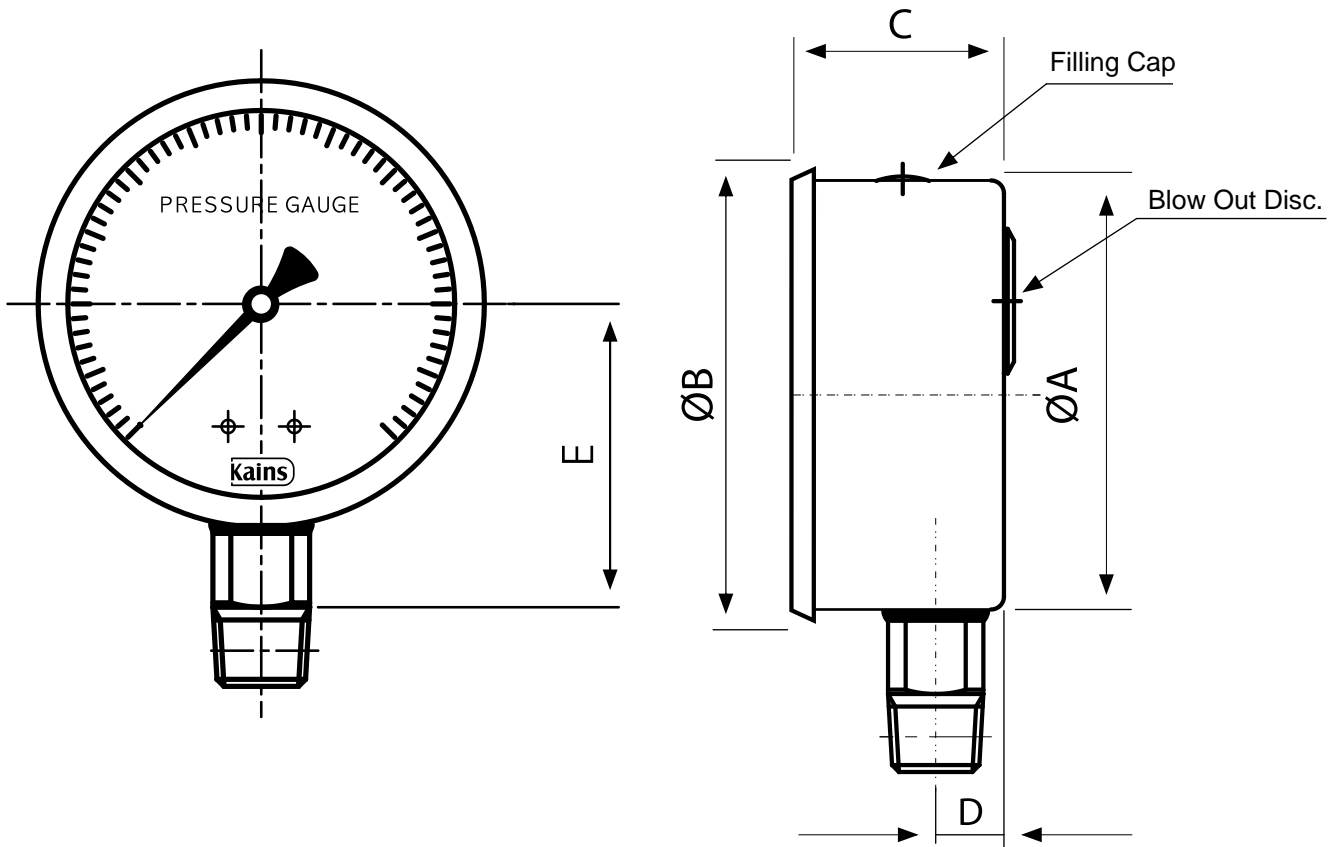
Duel Scale	
Vacuum and Compound	Code
0.... - 760 mm Hg	301
-760 ... 1.06 Kg/cm2	302
-760 ... 2.1 Kg/cm2	303
-760 ... 4.2 Kg/cm2	304
-760 ... 7 Kg/cm2	305
-760 ... 10.6 Kg/cm2	306
-760 ... 14 Kg/cm2	307
-760 ... 17.5 Kg/cm2	308
-760 ... 21 Kg/cm2	309
-760 ... 28 Kg/cm2	310
Other Optional - specify	300

Single scale	
Vacuum and Compound	Code
0 ... - 1 Kg/cm2	401
- 1 ... 1kg/cm2	402
- 1 ... 2kg/cm2	403
- 1 ... 2.5kg/cm2	404
- 1 ... 4kg/cm2	405
- 1 ... 6kg/cm2	406
- 1 ... 7kg/cm2	407
- 1 ... 10kg/cm2	408
- 1 ... 16kg/cm2	409
- 1 ... 25kg/cm2	410
Other Optional - specify	400

Size	1 1/2"	2"	2 1/2"	3"	4"	6"
Available Range	202 - 209	201 - 217	201 - 217	201 - 217	201 - 219	201 - 219
	103 - 108	101 - 113	101 - 113	101 - 113	101 - 115	101 - 115
	XXXXX	301 - 306	301 - 306	301 - 306	301 - 310	301 - 310
	XXXXX	401 - 408	401 - 408	401 - 408	401 - 410	401 - 410

\* Higher ranges up to 4200 kg/cm2 is available on request on selected dial sizes

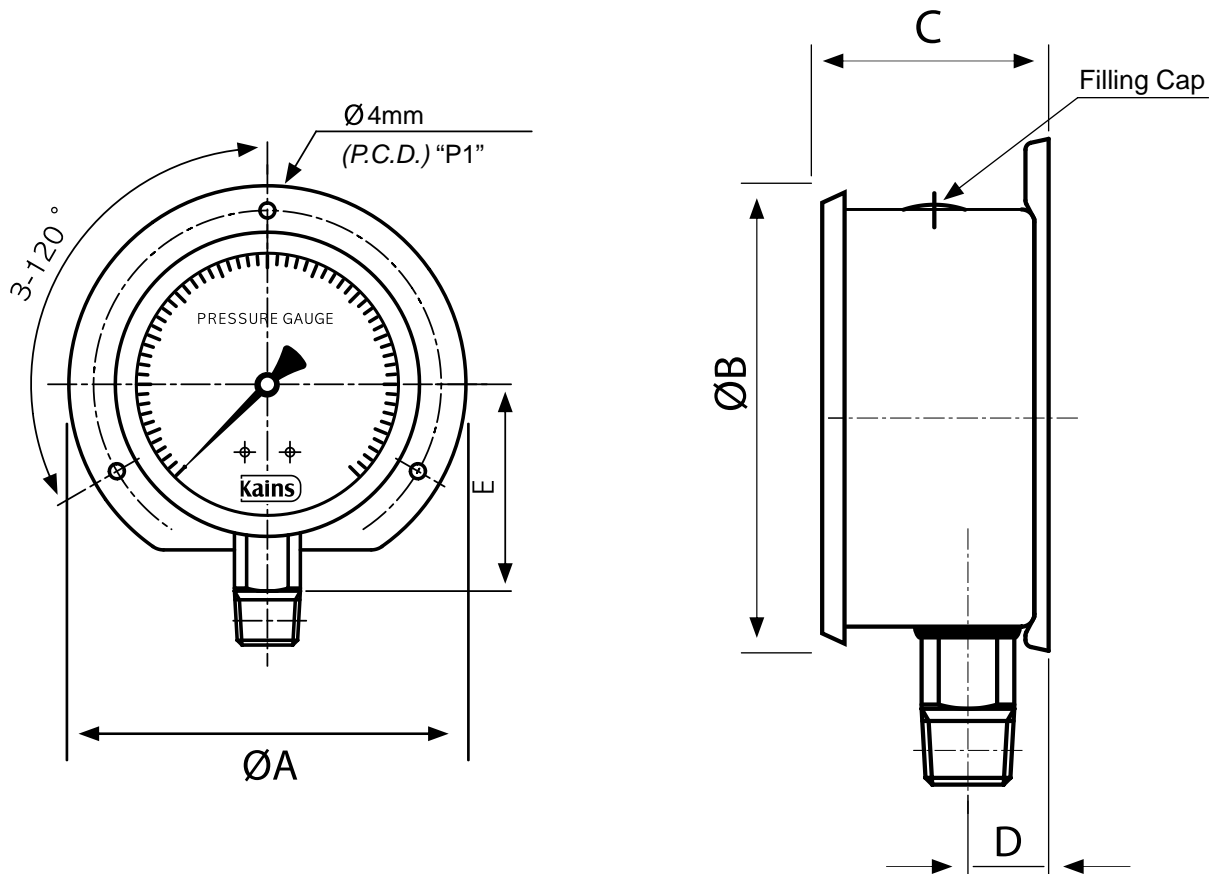
## Bottom connection direct Mounting



Dimensions (mm)

Dial Size	A	B	C	D	E
63	62	70	30	12	45
80	79	88	32	14	54
100	99	108	47	15	75
150	148	160	47	15	102

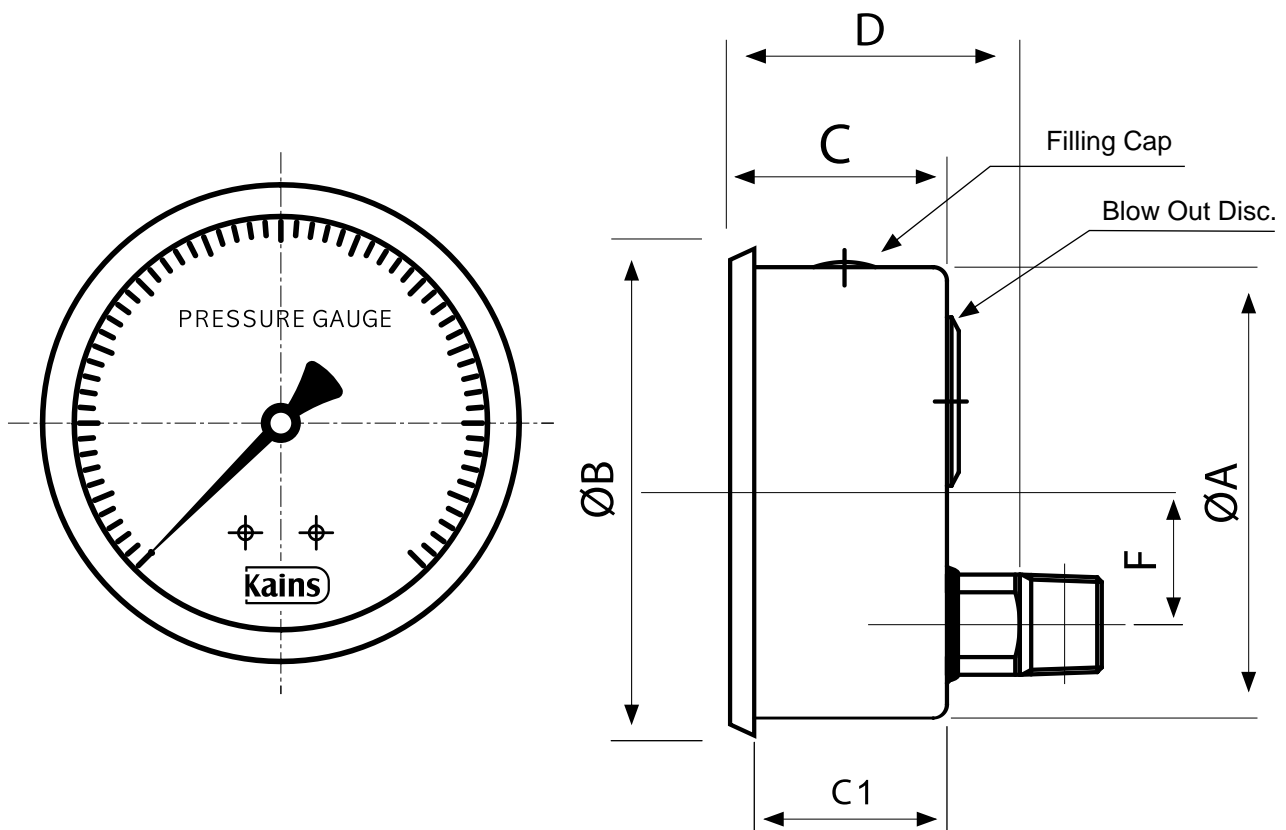
## Bottom connection surface Mounting



Dimensions (mm)

Dial Size	A	B	C	D	E	P1
63	—	70	30	12	45	—
80	108	88	32	14	54	95
100	133	108	47	15	75	116
150	196	160	47	15	102	178

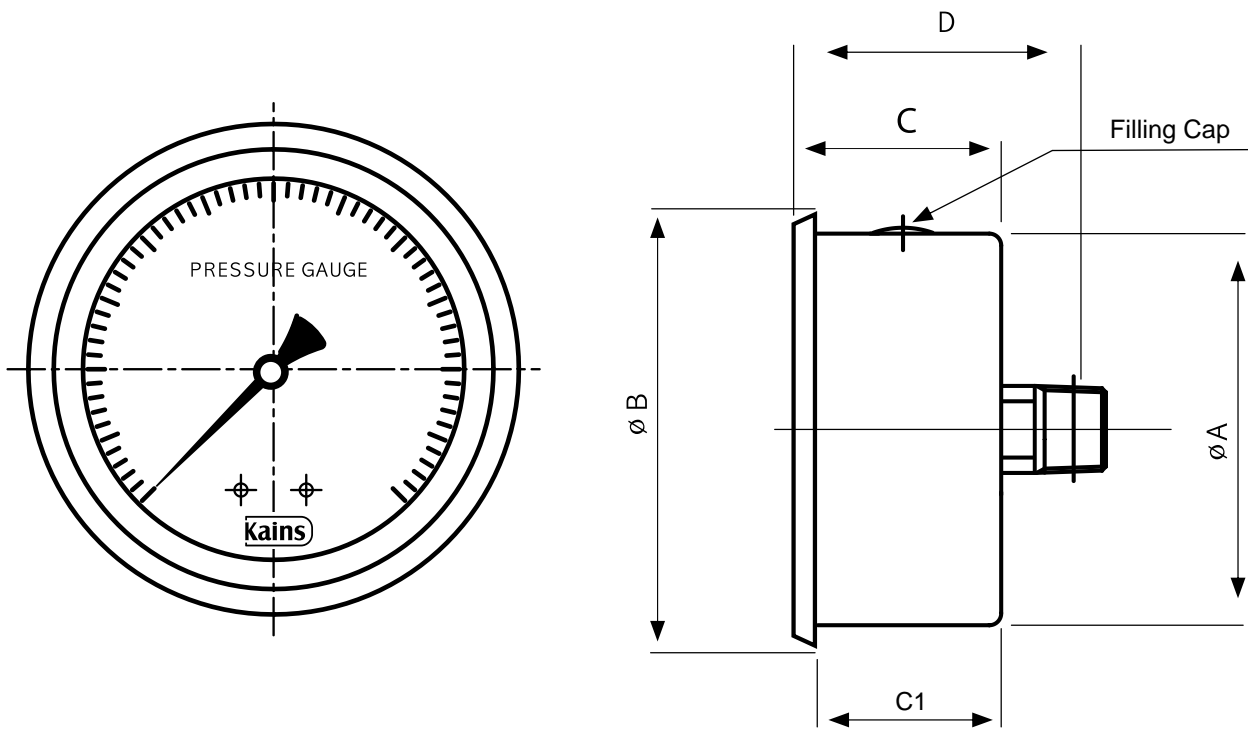
## Back connection direct Mounting (Eccentric)



Dimensions (mm)

Dial Size	A	B	C	D	F	C1
100	99	108	47	65	35	38
150	148	160	47	65	50	38

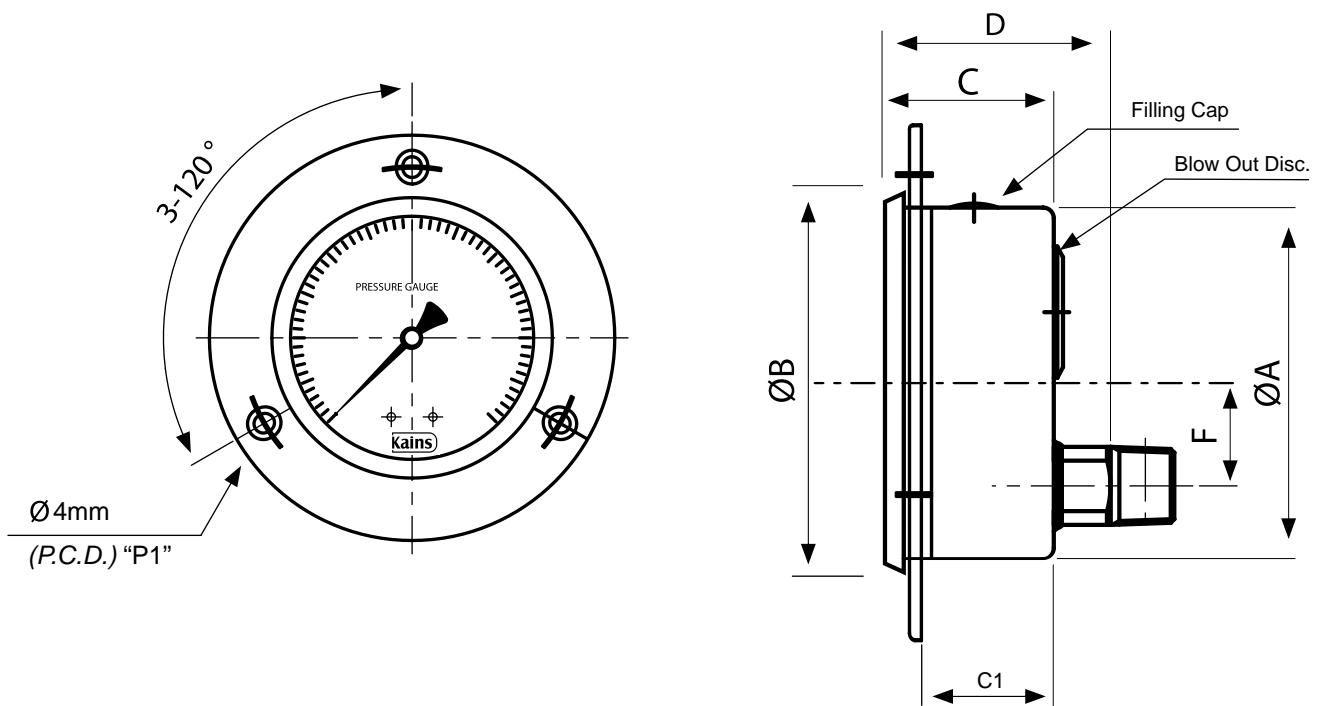
## Back connection direct Mounting (Centric)



Dimensions (mm)

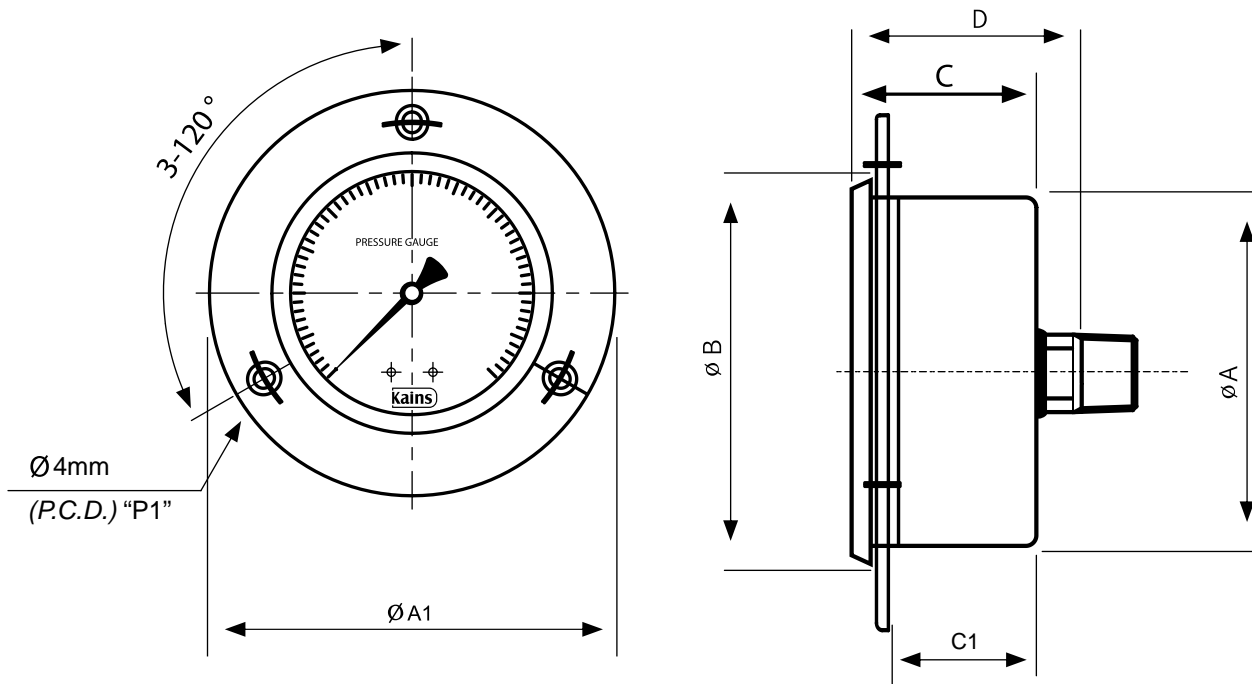
Dial Size	A	B	C	D	C1
63	62	70	30	46	25
80	79	88	32	48	30

# Back connection Panel (Eccentric)



Dial Size	A	B	C	D	A1	C1	P1	F
100	108	101	47	65	132	34	116	35
150	160	150	47	65	196	34	178	50

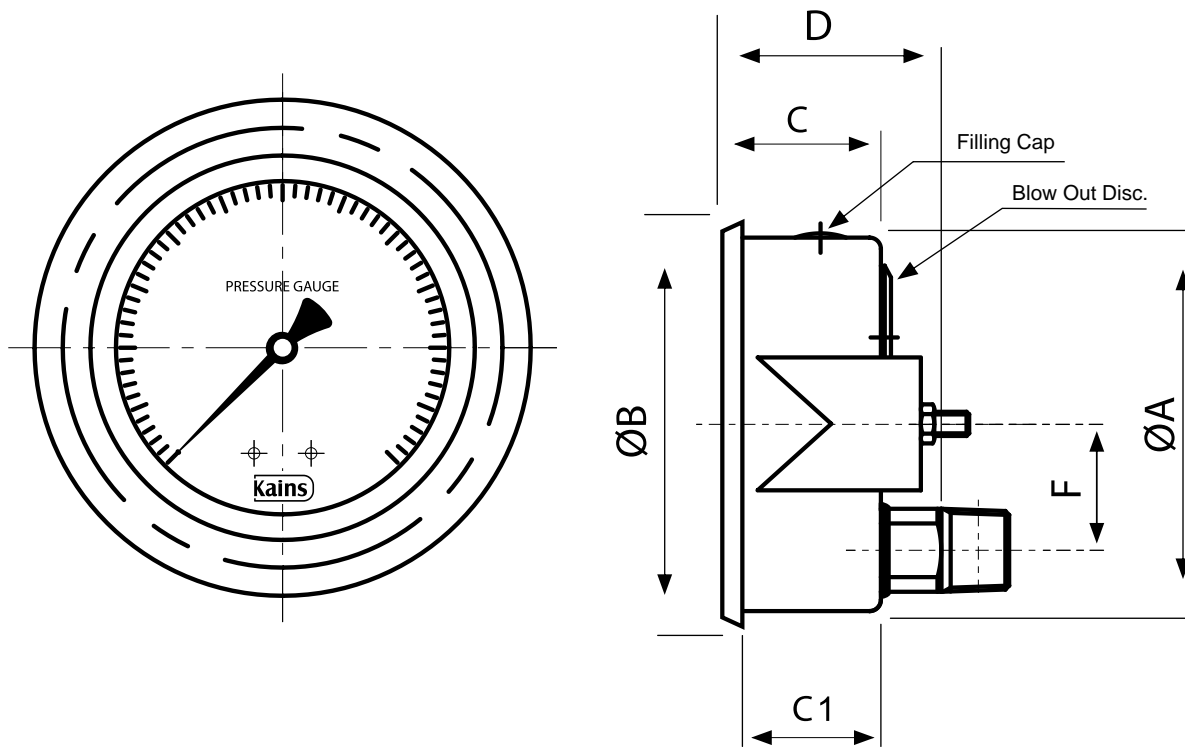
## Back connection Panel (Centric)



Dimensions (mm)

Dial Size	A	B	C	D	C1	A1	P1
63	62	70	30	46	23	85	75
80	79	88	32	48	27	110	95

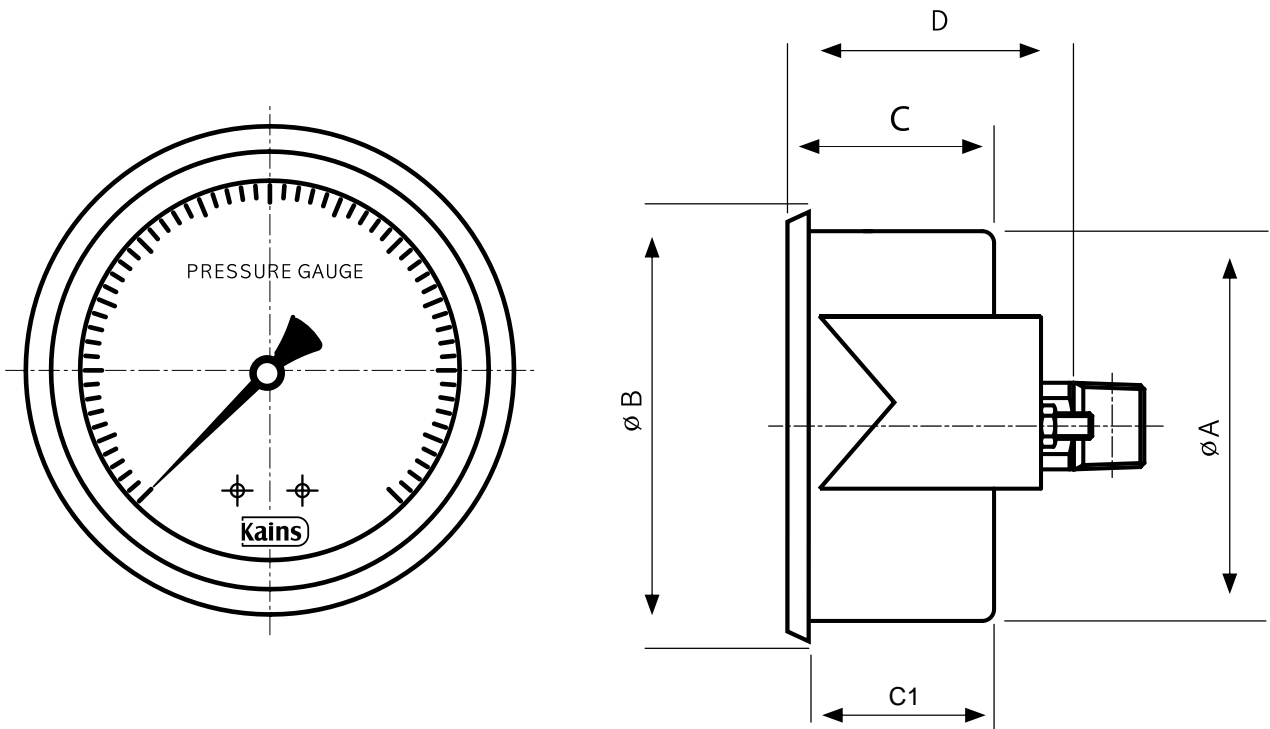
## Back connection with bracket (Eccentric)



Dimensions (mm)

Dial Size	A	B	C	D	F	C1
100	99	108	47	65	35	38
150	148	160	47	65	50	38

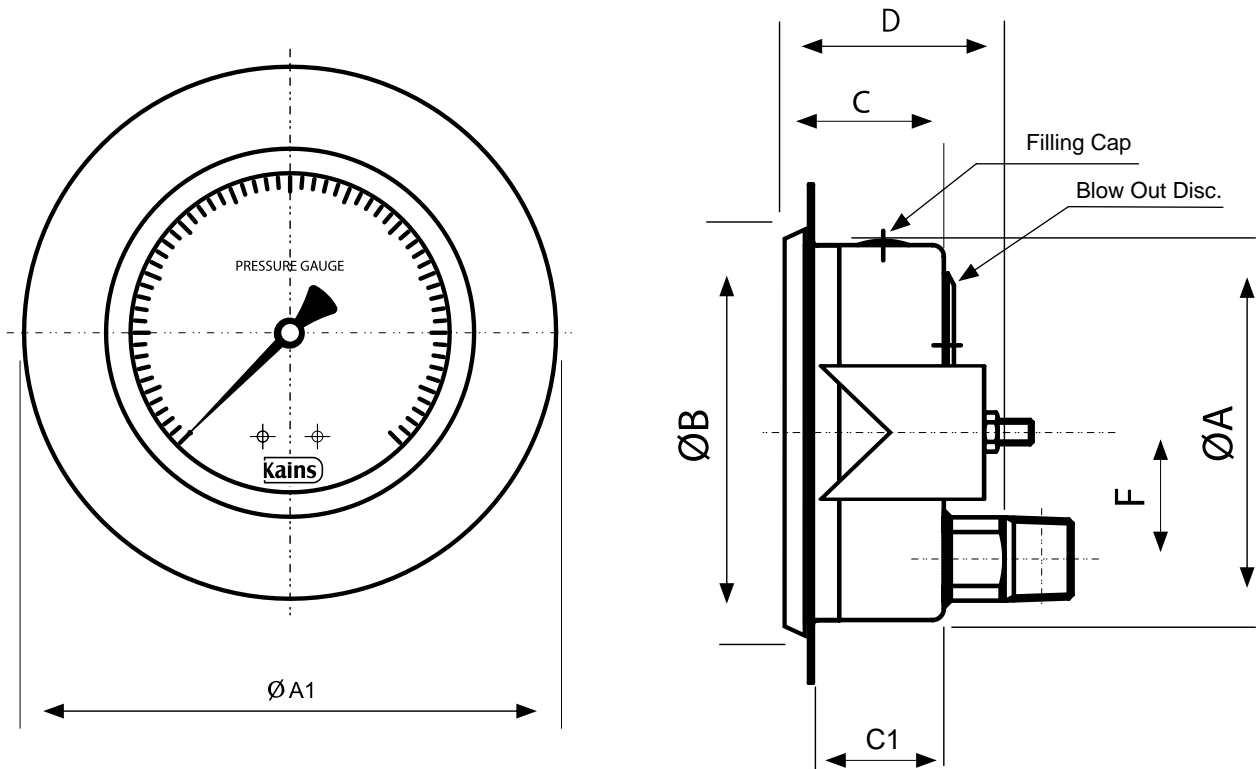
## Back connection Bracket Mounting (Centric)



Dimensions (mm)

Dial Size	A	B	C	D	C1
63	62	70	30	46	25
80	79	88	32	48	30

## Back connection bracket with front flange (Eccentric)



Dial Size	A	B	C	D	A1	C1	F
100	108	101	47	65	132	34	35
150	160	150	47	65	196	34	50