

General Specification

Type

Weather proof
Glycerin filled



Model	KPG10	KRG20	KRG11	KRG21	KRG12	KRG 22
Type	Weather proof	Glycerin filled	Weather proof	Glycerin filled	Weather proof	Glycerin filled
Case and bezel	SS 304 (Screwed bezel)		SS 304 (Screwed bezel)		M S rust protected (Screwed bezel)	
Bourdon Tube	SS 316		Brass		Brass	
Socket	SS 316		Brass		Brass	
Sector mechanism	SS 304		Brass		Brass	
Dial	Aluminum		Aluminum		Aluminum	
Dial marking	Black marking on white surface		Black marking on white surface		Black marking on white surface	
Scale	Duel Scale (Kg/cm2 and PSI Standard ranges)		Duel Scale (Kg/cm2 and PSI Standard ranges)		Duel Scale (Kg/cm2 and PSI Standard ranges)	
Window	Toughened Glass/ Acrylic		Glass/ Snap in acrylic		Glass/ Snap in acrylic	
Pointer	Black Aluminum/ Black ABS		Black Aluminum/ Black ABS		Black Aluminum/ Black ABS	

Optional

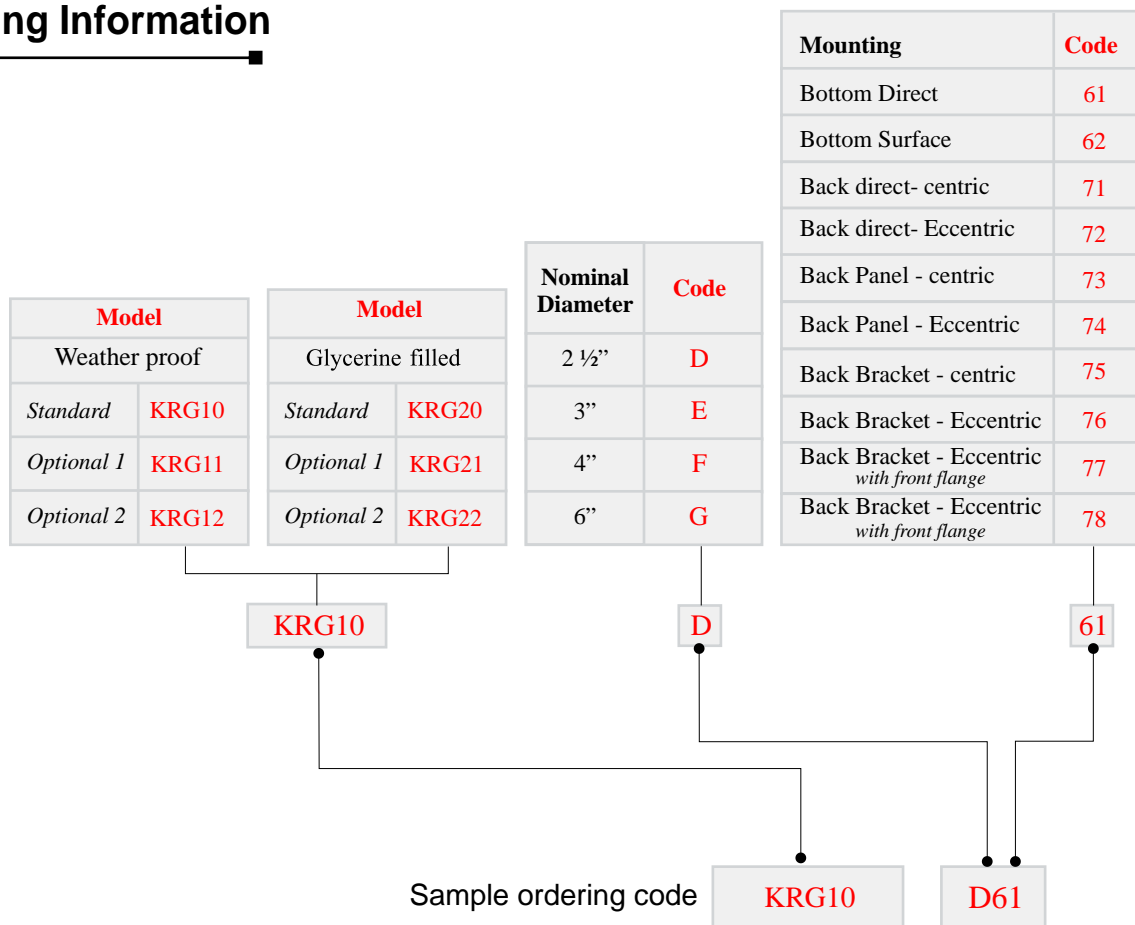
- NPT & Other standard Threads
- Customized dial markings

Nominal Diameter		Accuracy		Connection
		Weather proof	Glycerin filled	
inch	mm	KPG10 KPG11 KPG12	KPG20 KPG21 KPG 22	
2 ½"	63mm	1.5%	2.5%	¼" BSP
3"	80mm	1.5	2.5%	3/8" BSP
4"	100mm	1%	1.5%	½" BSP
6"	150mm	1%	1.5%	½" BSP

Available Mountings

Nominal Diameter	2 1/2" 63mm	3" 80mm	4" 100mm	6" 150mm
Bottom Direct	✓	✓	✓	✓
Bottom Surface	X	✓	✓	✓
Back direct- centric	✓	✓	X	X
Back direct- Eccentric	X	X	✓	✓
Back Panel - centric	✓	✓	X	X
Back Panel - Eccentric	X	X	✓	✓
Back Bracket - centric	✓	✓	X	X
Back Bracket - Eccentric	X	X	✓	✓
Back Bracket - centric <i>with front flange</i>	✓	✓	X	X
Back Bracket - Eccentric <i>with front flange</i>	X	X	✓	✓

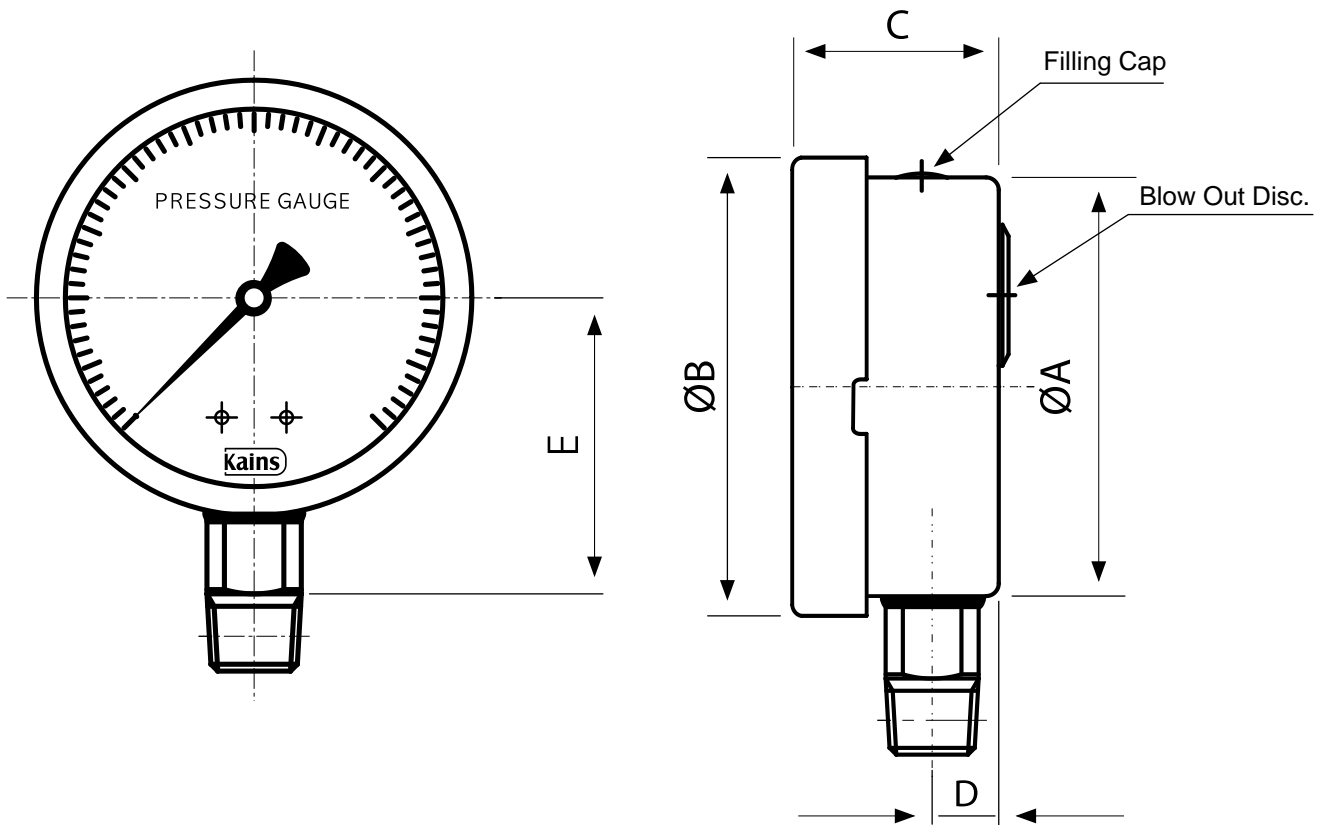
Ordering Information



* Sq. root / 100% - specify while ordering

* Specify Optional requirements

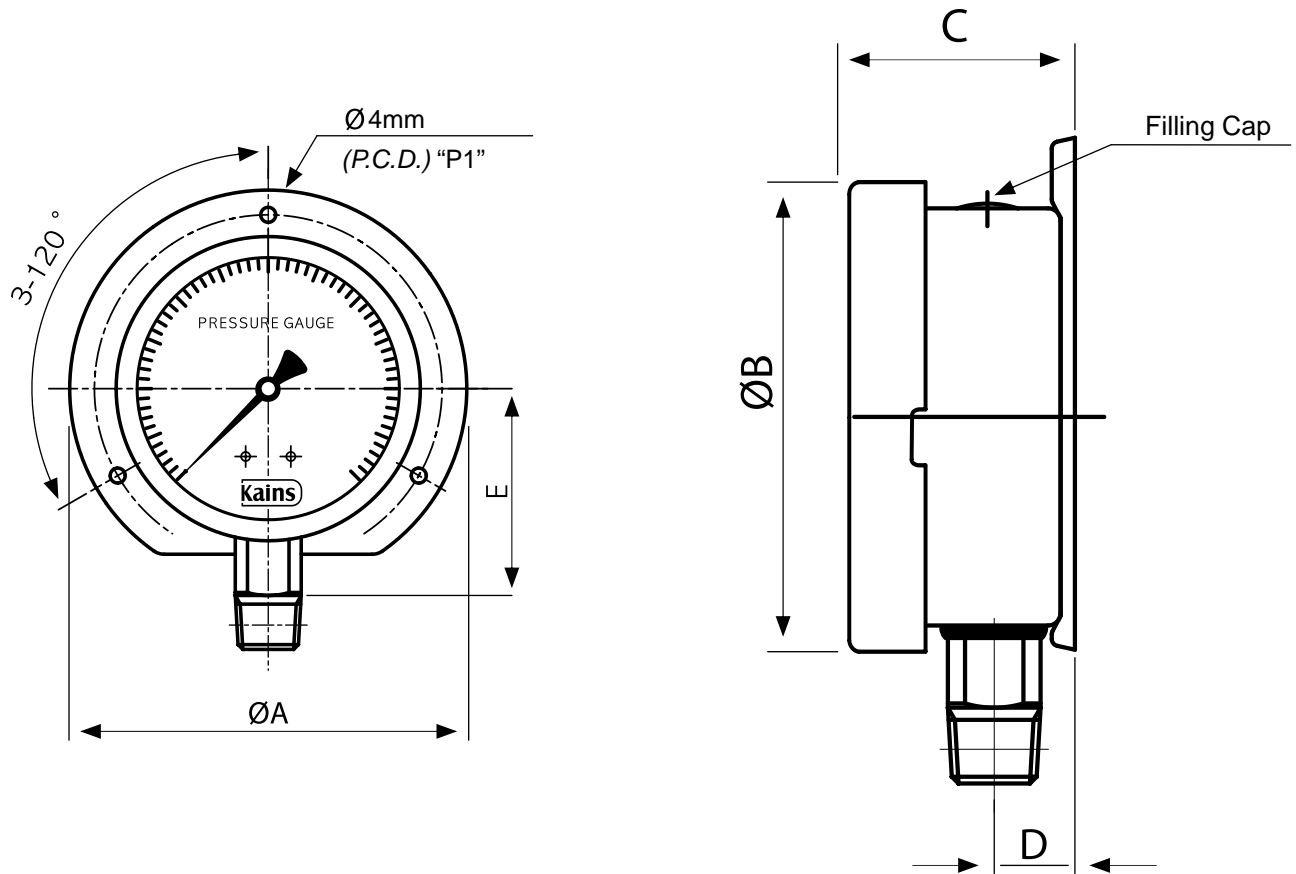
Bottom Connection Direct Mounting



Dimensions (mm)

Dial Size	A	B	C	D	E
63	62	70	30	12	45
80	79	88	32	14	54
100	99	108	47	15	75
150	148	160	47	15	102

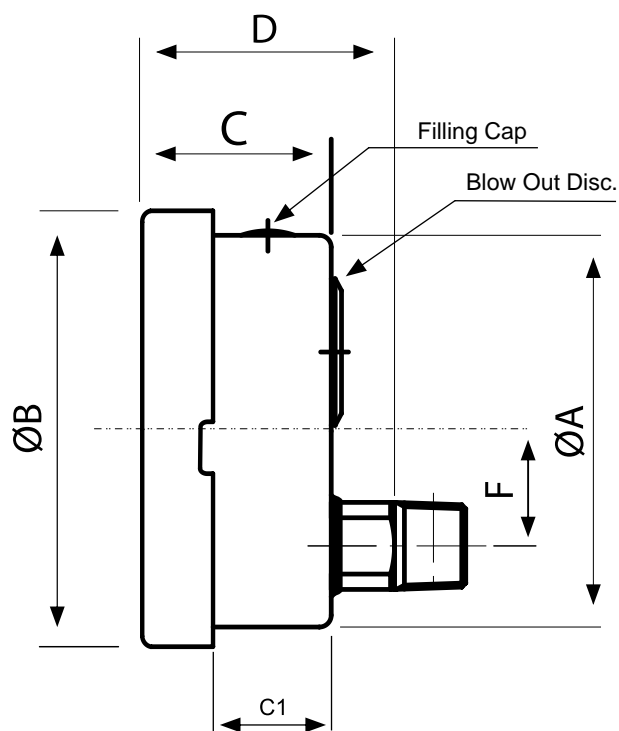
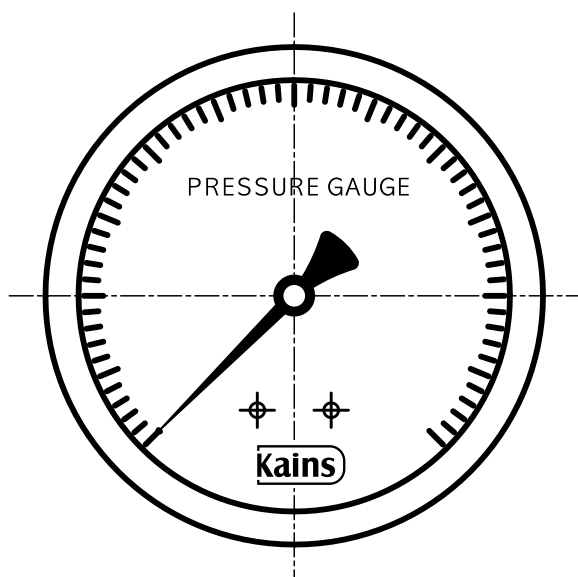
Bottom Connection Surface Mounting



Dimensions (mm)

Dial Size	A	B	C	D	E	P1
63	—	70	30	12	45	—
80	108	88	32	14	54	95
100	133	108	47	15	75	116
150	196	160	47	15	102	178

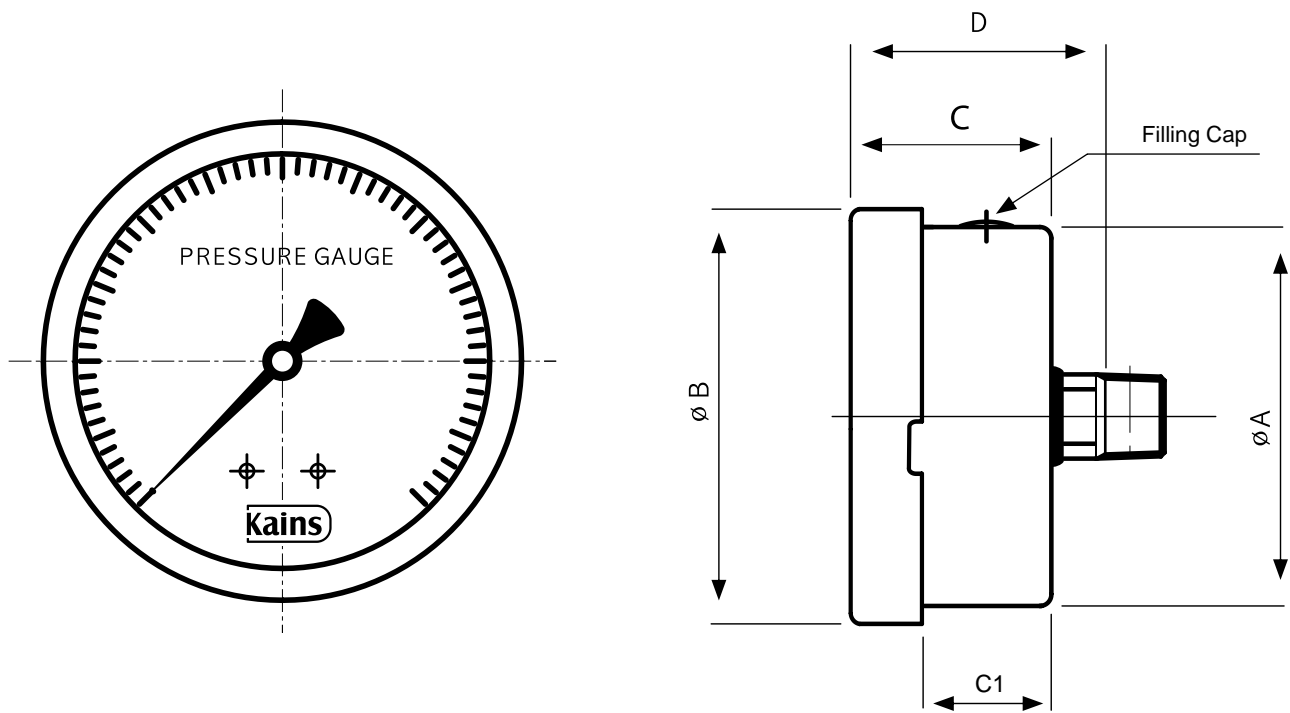
Back connection Direct Mounting (Eccentric)



Dimensions (mm)

Dial Size	A	B	C	D	F	C1
100	99	108	47	65	35	33
150	148	160	47	65	50	33

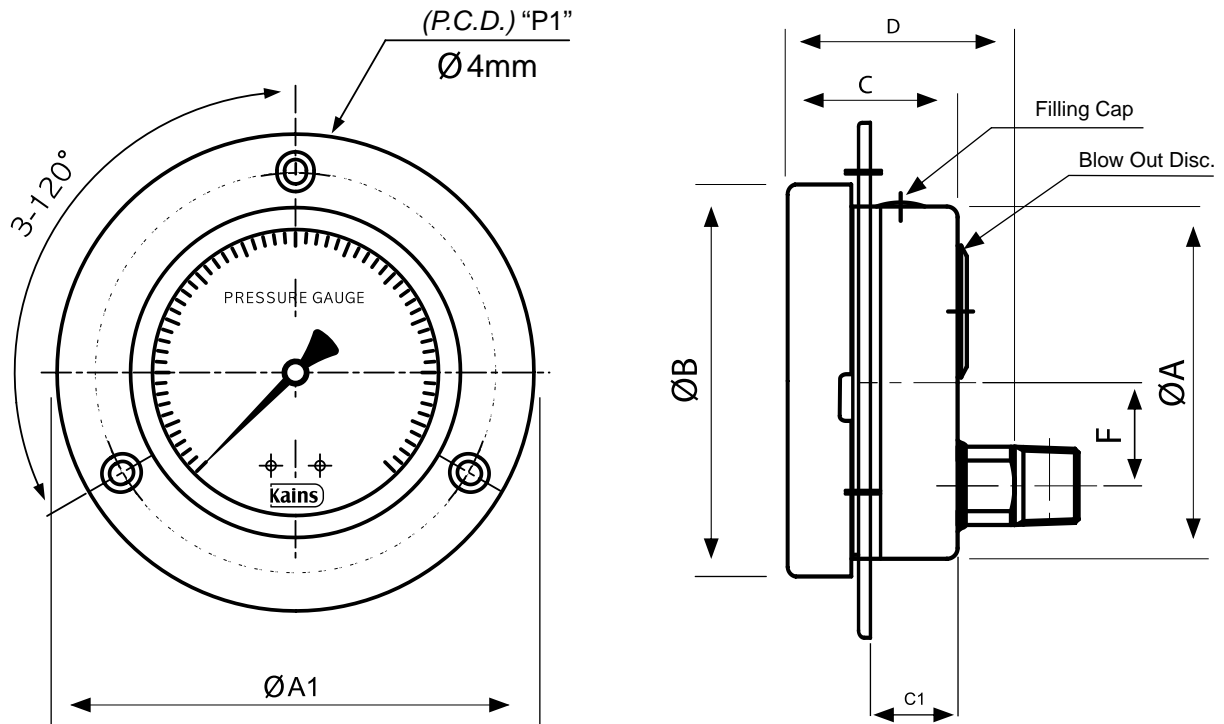
Back connection Direct Mounting - (Centric)



Dimensions (mm)

Dial Size	A	B	C	D	C1
63	62	70	30	46	19
80	79	88	32	48	22

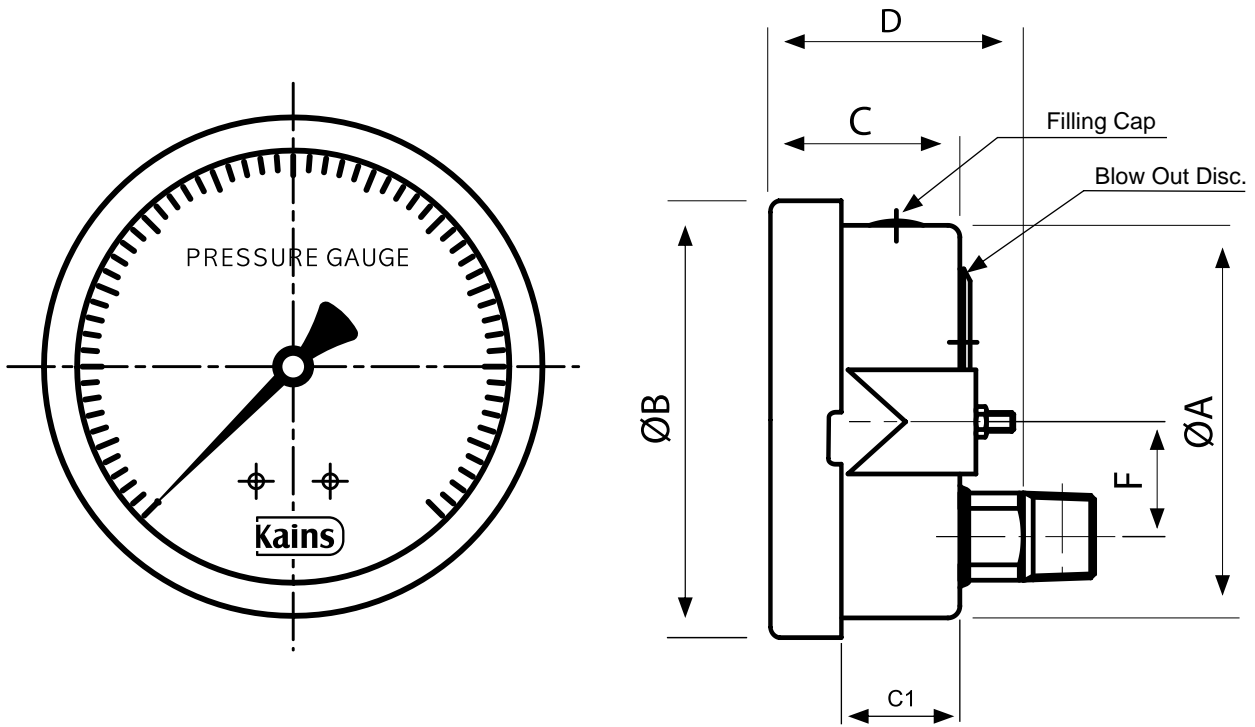
Back connection Panel Mounting (Eccentric)



Dimensions (mm)

Dial Size	A	B	C	D	A1	C1	P1	F
100	108	101	47	65	132	26	116	35
150	160	150	47	65	196	26	178	50

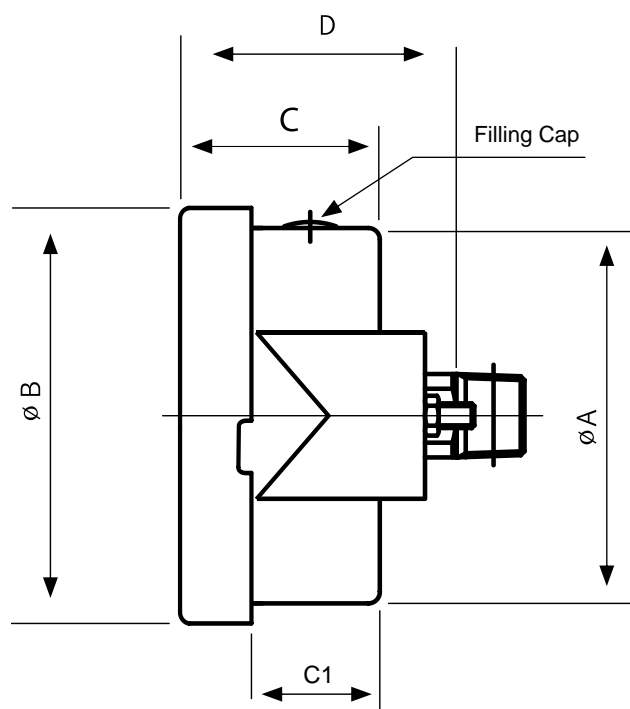
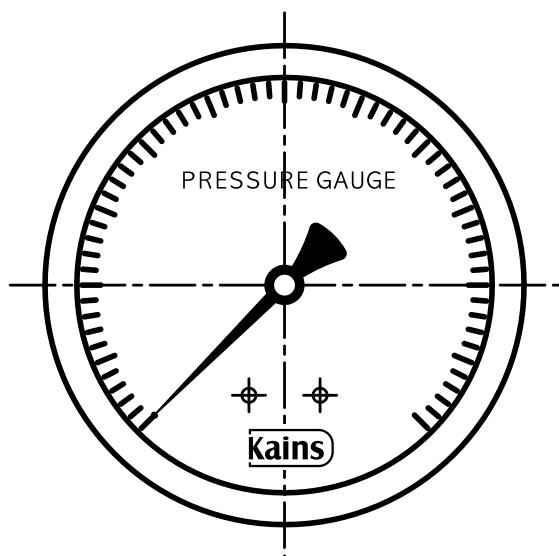
Back connection bracket Mounting (Eccentric)



Dimensions (mm)

Dial Size	A	B	C	D	F	C1
100	99	108	47	65	35	33
150	148	160	47	65	50	33

Back connection bracket Mounting (Centric)



Dimensions (mm)

Dial Size	A	B	C	D	C1
63	62	70	30	46	19
80	79	88	32	48	22