



## Inside >>

General Specification	3
Available Mountings & Ordering Information	4
Standard Ranges	5
Bottom connection direct Mounting	6
Bottom connection surface Mounting	7
Back connection direct Mounting	8
Back connection Panel Mounting	9
Back connection bracket Mounting	10
Back connection Bracket Mounting with Front flange	11

## General Specification

### Application

For utility pressure measurement

### Type

Non weather proof



### Specification

Model	UPG10	UPG11	UPG12
Case and bezel	M S rust protected	SS 304	SS 304
Bourdon Tube	Brass	Brass	SS 304
Socket	Brass	Brass	SS 304
Sector mechanism	Brass	Brass	SS 304
Dial	Aluminum	Aluminum	Aluminum
Dial marking	Black marking on white surface	Black marking on white surface	Black marking on white surface
Scale	Dual Scale (Kg/cm <sup>2</sup> and PSI Standard ranges)	Dual Scale (Kg/cm <sup>2</sup> and PSI Standard ranges)	Dual Scale (Kg/cm <sup>2</sup> and PSI Standard ranges)
Window	Glass/ Snap in acrylic	Glass/ Snap in acrylic	Glass/ Snap in acrylic
Pointer	Black Aluminum/ Black ABS	Black Aluminum/ Black ABS	Black Aluminum/ Black ABS

### Optional

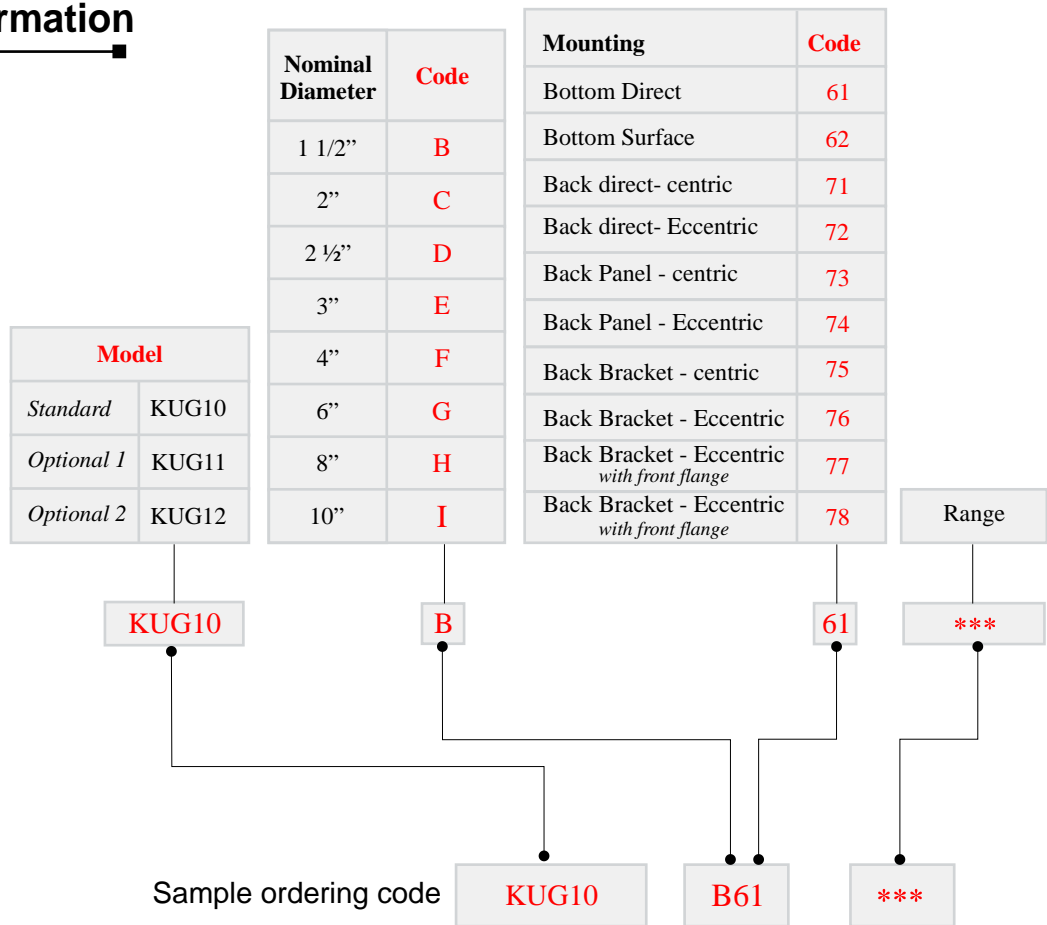
- NPT & Other standard Threads
- Customized dial markings
- Other Units: Kpa, Mpa, bar, ton, atm and torr
- Externally adjustable red follower pointer (2.5", 3", 4", 6", 8" & 10")
- Nickel plated socket
- Special colored Case & Bezel

Nominal Diameter		Accuracy	Connection
inch	mm		
1 ½"	40mm	3%	1/8" BSP
2"	50mm	2.5%	¼" BSP
2 ½"	63mm	2.5%	¼" BSP
3"	80mm	2.5%	3/8" BSP
4"	100mm	2%	3/8" BSP
6"	150mm	2%	3/8" BSP
8"	200mm	2%	½" BSP
10"	250mm	2%	½" BSP

# Available Mountings

Nominal Diameter	1 1/2" 40 mm	2" 50mm	2 1/2" 63mm	3" 80mm	4" 100mm	6" 150mm	8" 200mm	10" 250mm
Bottom Direct	✓	✓	✓	✓	✓	✓	✓	✓
Bottom Surface	X	X	X	✓	✓	✓	X	X
Back direct- centric	✓	✓	✓	✓	✓	✓	✓	✓
Back direct- Eccentric	X	X	X	X	X	✓	✓	✓
Back Panel - centric	X	✓	✓	✓	✓	✓	X	X
Back Panel - Eccentric	X	X	X	X	X	✓	X	X
Back Bracket - centric	✓	✓	✓	✓	✓	✓	X	X
Back Bracket - Eccentric	X	X	X	X	X	✓	X	X
Back Bracket - centric <i>with front flange</i>	X	✓	✓	✓	✓	✓	X	X
Back Bracket - Eccentric <i>with front flange</i>	X	X	X	X	X	✓	X	X

## Ordering Information



\* Select from the following table

\* Specify Optional requirements

## Standard Ranges

Duel Scale	
Pressure ranges	Code
0 ... 15 PSI / 1.06Kg/cm2	201
0 ... 30 PSI / 2.1 Kg/cm2	202
0 ... 60 PSI / 4.2 Kg/cm2	203
0 ... 100 PSI / 7 Kg/cm2	204
0 ... 150 PSI / 10.6 Kg/cm2	205
0 ... 200 PSI / 14 Kg/cm2	206
0 ... 250 PSI / 17.5 Kg/cm2	207
0 ... 300 PSI / 21 Kg/cm2	208
0 ... 400 PSI / 28 Kg/cm2	209
0 ... 600 PSI / 42 Kg/cm2	210
0 ... 1000 PSI / 70 Kg/cm2	211
0 ... 1500 PSI / 106 Kg/cm2	212
0 ... 2000 PSI / 140 Kg/cm2	213
0 ... 2500 PSI / 175 Kg/cm2	214
0 ... 3000 PSI / 210 Kg/cm2	215
0 ... 4000 PSI / 280 Kg/cm2	216
0 ... 6000 PSI / 420 Kg/cm2	217
0 ... 10000 PSI / 700 Kg/cm2	218
0 ... 15000 PSI / 1060 Kg/cm2	219
Other Optional - specify	200

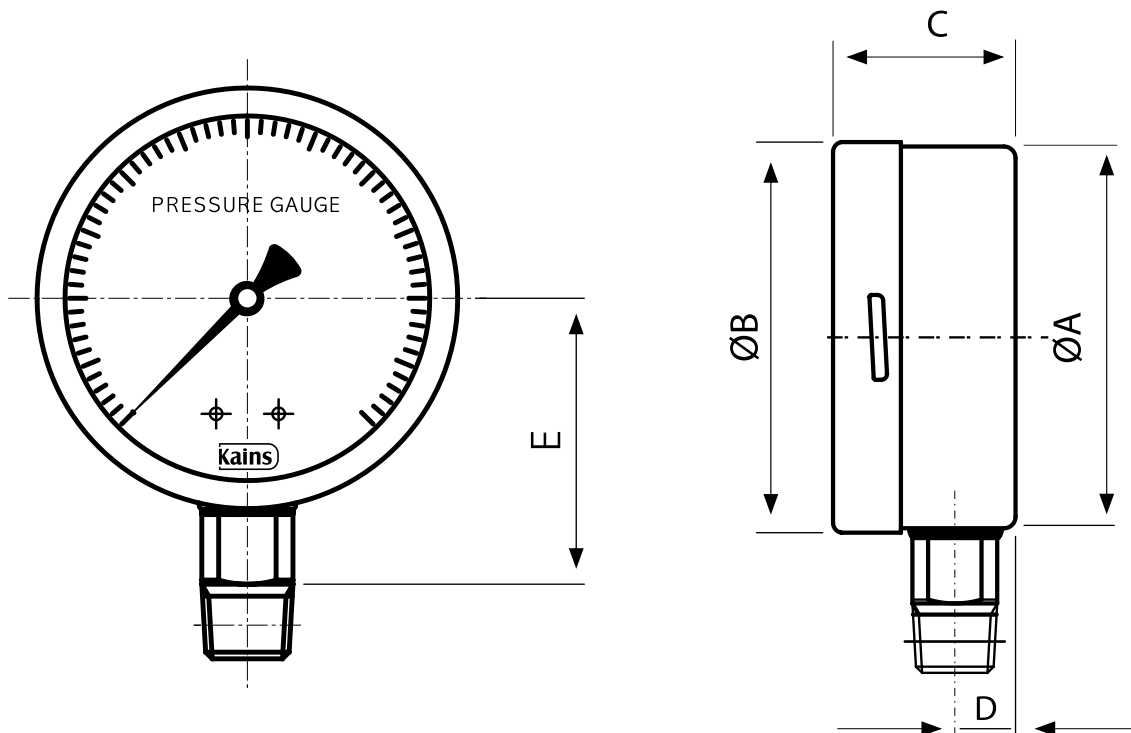
Single Scale	
Pressure ranges	Code
0 ... 1 Kg/cm2	101
0 ... 1.6 Kg/cm2	102
0 ... 2.5 Kg/cm2	103
0 ... 4 Kg/cm2	104
0 ... 6 Kg/cm2	105
0 ... 10 Kg/cm2	106
0 ... 16 Kg/cm2	107
0 ... 25 Kg/cm2	108
0 ... 40 Kg/cm2	109
0 ... 60 Kg/cm2	110
0 ... 100 Kg/cm2	111
0 ... 160 Kg/cm2	112
0 ... 250 Kg/cm2	113
0 ... 600 Kg/cm2	114
0 ... 1000 Kg/cm2	115
Other Optional - specify	100

Duel Scale	
Vacuum and Compound	Code
0.... - 760 mm Hg	301
-760 ... 1.06 Kg/cm2	302
-760 ... 2.1 Kg/cm2	303
-760 ... 4.2 Kg/cm2	304
-760 ... 7 Kg/cm2	305
-760 ... 10.6 Kg/cm2	306
-760 ... 14 Kg/cm2	307
-760 ... 17.5 Kg/cm2	308
-760 ... 21 Kg/cm2	309
-760 ... 28 Kg/cm2	310
Other Optional - specify	300

Single scale	
Vacuum and Compound	Code
0 ... - 1 Kg/cm2	401
- 1 ... 1kg/cm2	402
- 1 ... 2kg/cm2	403
- 1 ... 2.5kg/cm2	404
- 1 ... 4kg/cm2	405
- 1 ... 6kg/cm2	406
- 1 ... 7kg/cm2	407
- 1 ... 10kg/cm2	408
- 1 ... 16kg/cm2	409
- 1 ... 25kg/cm2	410
Other Optional - specify	400

Size	1 1/2"	2"	2 1/2"	3"	4"	6"	8"	10"
Available Range	202 - 209	201 - 217	201 - 217	201 - 217	201 - 219	201 - 219	201 - 219	201 - 219
	103 - 108	101 - 113	101 - 113	101 - 113	101 - 115	101 - 115	101 - 115	101 - 115
	XXXXXX	301 - 306	301 - 306	301 - 306	301 - 310	301 - 310	301 - 310	301 - 310
	XXXXXX	401 - 408	401 - 408	401 - 408	401 - 410	401 - 410	401 - 410	401 - 410

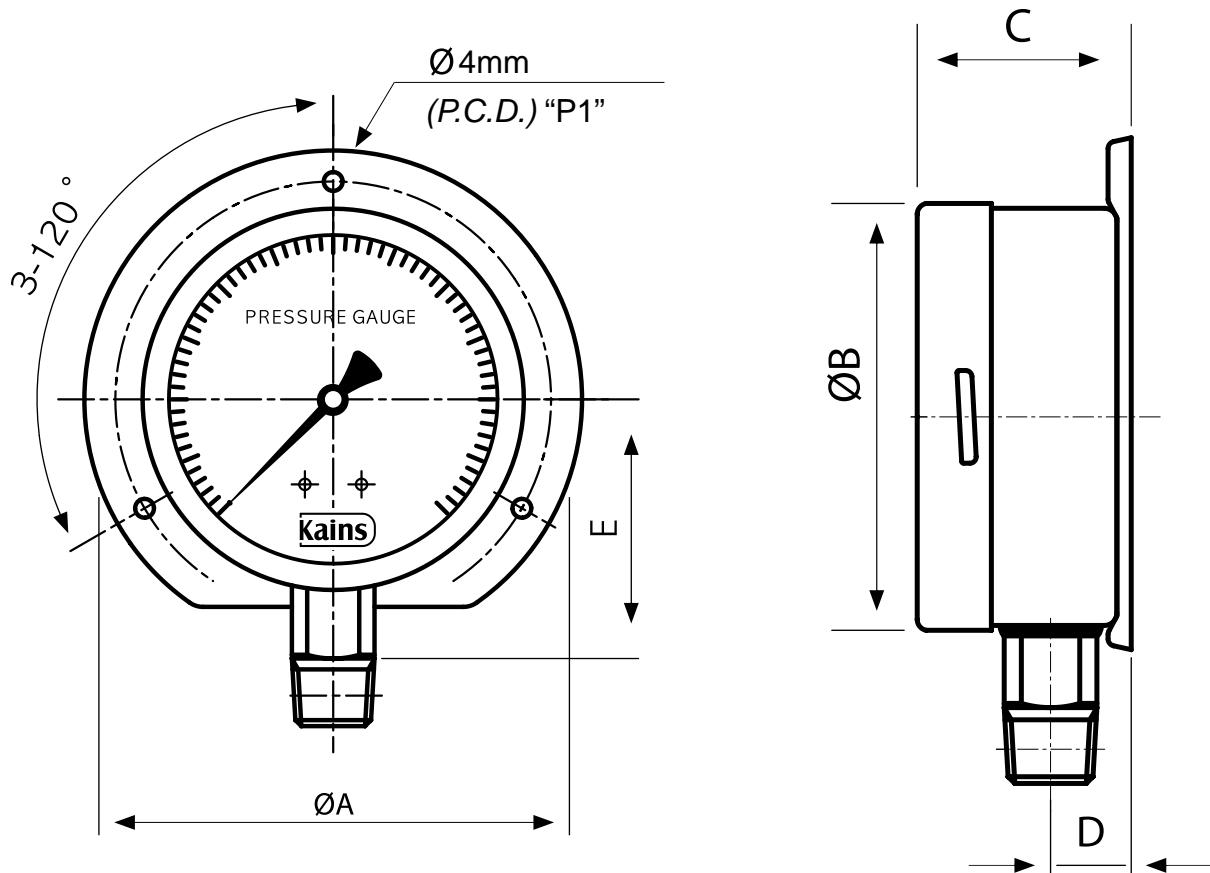
## Bottom Connection Direct Mounting



Dimensions (mm)

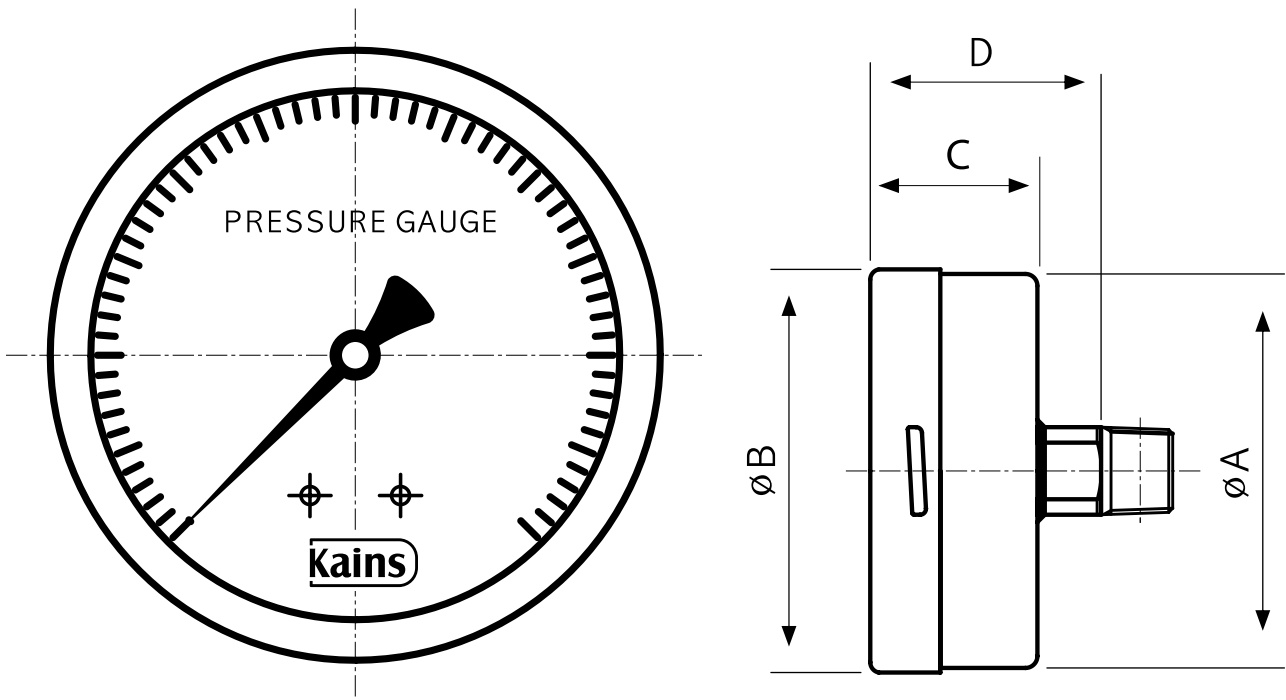
Dial Size	A	B	C	D	E
40	42	43	25	8	30
50	50	51	28	10	36
63	62	63	28	10	40
80	79	80	32	11	53
100	99	101	32	11	62
150	148	150	38	11	90

## Bottom Connection Surface Mounting



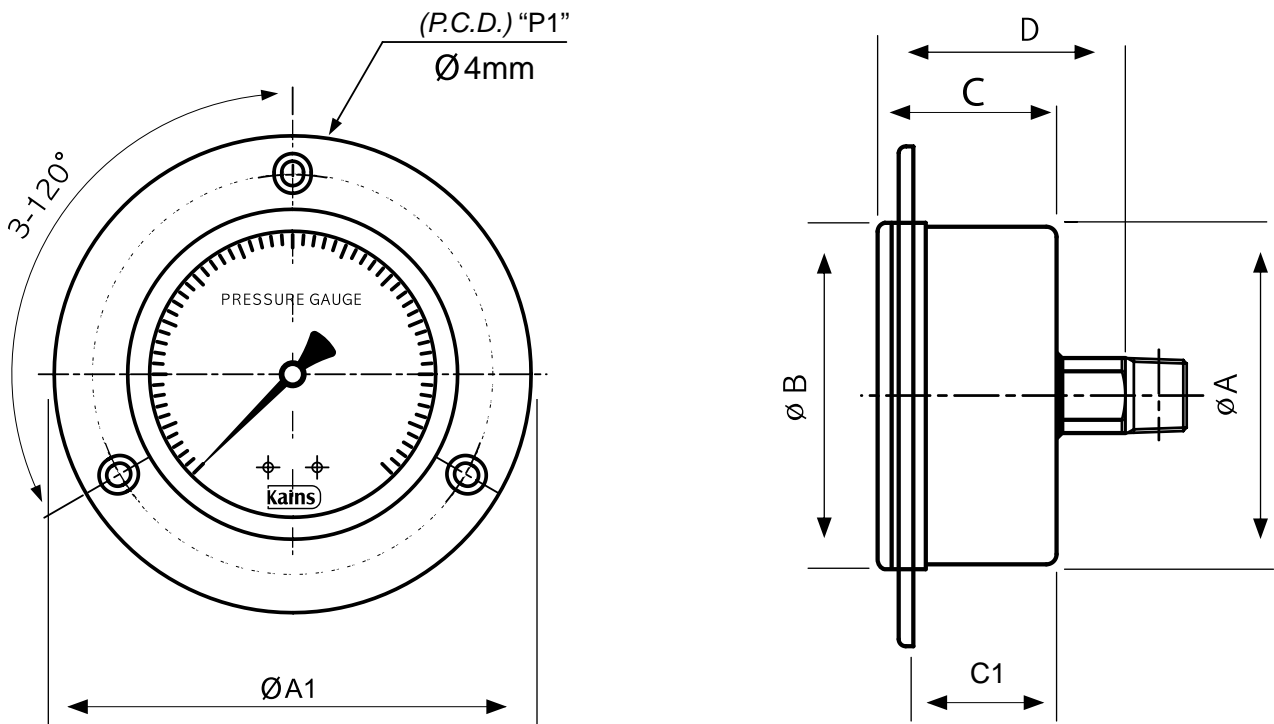
Dial Size	A	B	C	D	E	P1
80	108	80	35	14	63	95
100	133	101	35	14	75	116
150	196	150	41	14	102	178

## Back connection Direct Mounting



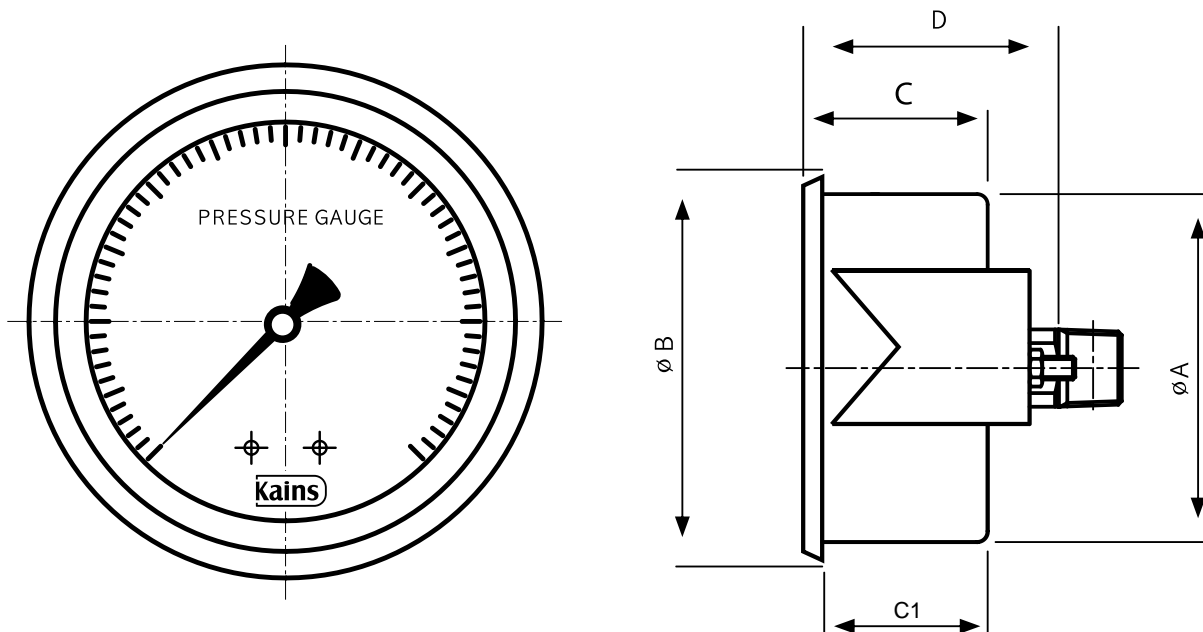
Dial Size	A	B	C	D
40	42	43	27	37
50	50	51	30	42
63	62	63	30	42
80	79	80	35	48
100	99	101	35	48
150	148	150	42	55

## Back connection Panel Mounting



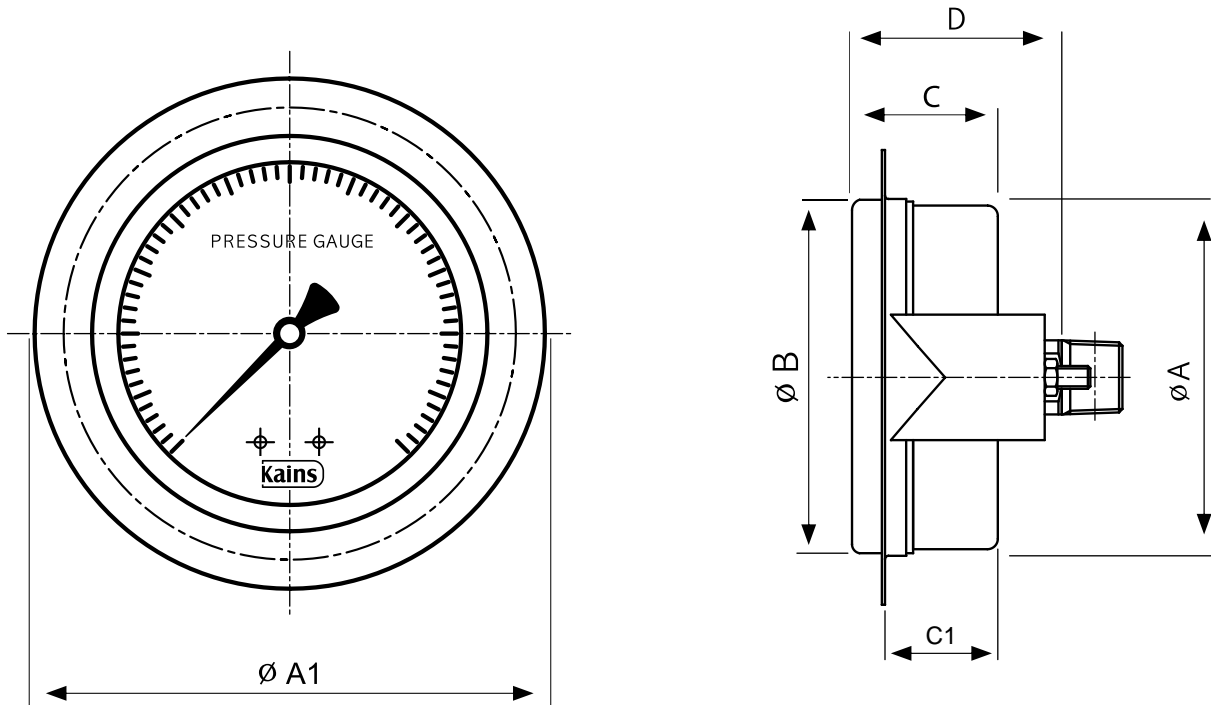
Dial Size	A	B	C	D	A1	C1	P1
50	50	51	30	42	71	37	60
63	62	63	30	42	85	37	75
80	79	80	35	48	110	43	95
100	99	101	35	48	132	43	116
150	148	150	42	55	196	45	178

## Back connection Bracket Mounting



Dial Size	A	B	C	D	C1
40	42	48	27	33	28
50	50	55	30	42	32
63	62	68	30	42	32
80	79	84	35	48	38
100	99	106	35	48	38
150	148	156	42	55	40

## Back connection Bracket Mounting with Front flange



Dial Size	A	B	C	D	A1	C1
50	50	51	30	42	71	37
63	62	63	30	42	85	37
80	79	80	35	48	110	43
100	99	101	35	48	132	43
150	148	150	42	55	196	45